

MEGAVAL® BLADE TYPE FUSE

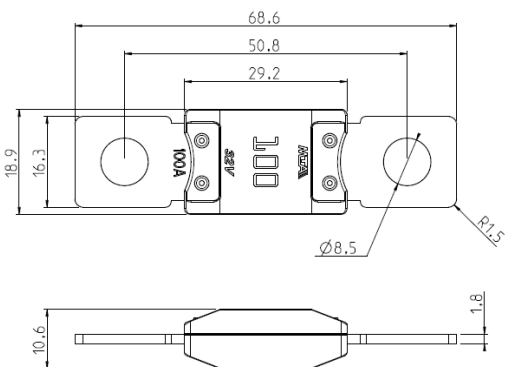
MegaVAL® fuses are compliant with ISO 8820-5 Standard, recommended for the protection of heavy cross-section wires with heavy current duty. MegaVAL® are made of Zinc alloy (100 ÷ 250 A) and Copper (500 A), to optimize the performance to the nominal current.



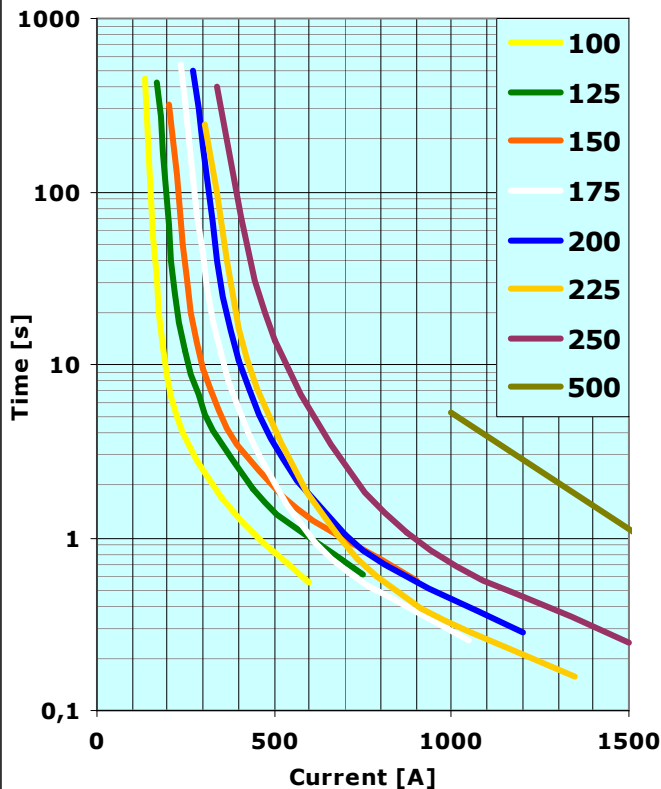
Breaking capacity: 2000[A]
Voltage rating: 32[Vdc]
Ambient Temperature: -40°C to +125°C

| MTA/ISO MegaVAL® operating time limits | | |
|--|----------------------|---------------------|
| % In | min [s] | max [s] |
| 1,00 | 14400 ^(a) | - |
| 1,35 | 120 ^(a) | 1800 ^(a) |
| 2,00 | 1 | 15 |
| 3,50 | 0,3 ^(b) | 5 |
| 6,00 | 0,1 ^(a) | 1 ^(a) |

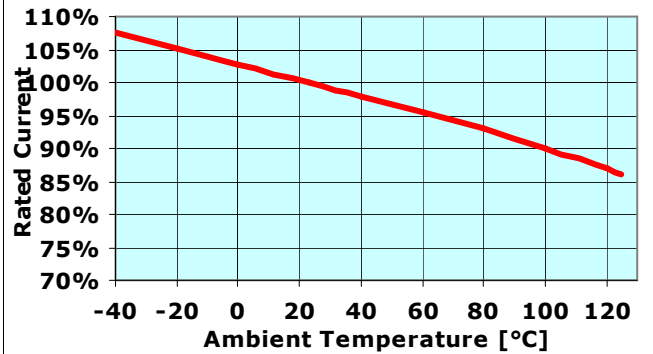
^(a) Not applicable for 500 A. ^(b) 0,5 for 500 A



MegaVAL® Operating Time @23°C test module ISO



MegaVAL® Re-Rating Curve. Test module ISO



| CURRENT RATING [A] | VOLTAGE DROP @ current rating [mV] | CABLE SIZE [mm ²] | I ² t |
|--------------------|------------------------------------|-------------------------------|------------------|
| 100 | 86 | 16 | 219583 |
| 125 | 85 | | 353125 |
| 150 | 93 | 25 | 463167 |
| 175 | 80 | | 303521 |
| 200 | 81 | 35 | 416250 |
| 225 | 100 | | 296042 |
| 250 | 80 | 50 | 637500 |
| 500 | 80 | 70 | n.d |