

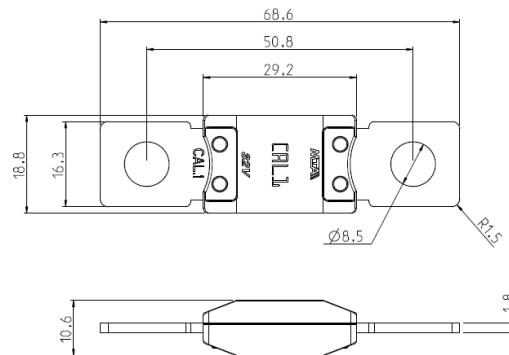
POWERVAL® STRIP TYPE FUSE

PowerVAL® is a special series of fuses, with identical constructive characteristics of the MegaVal® series, but with Operating Time Limits tailored to protect Starter Motor Lines.

PowerVAL® are made in Zinc alloy or Copper, to achieve the best performance for each application.

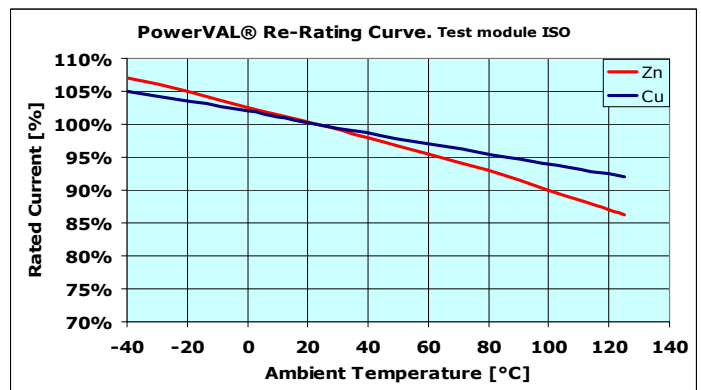
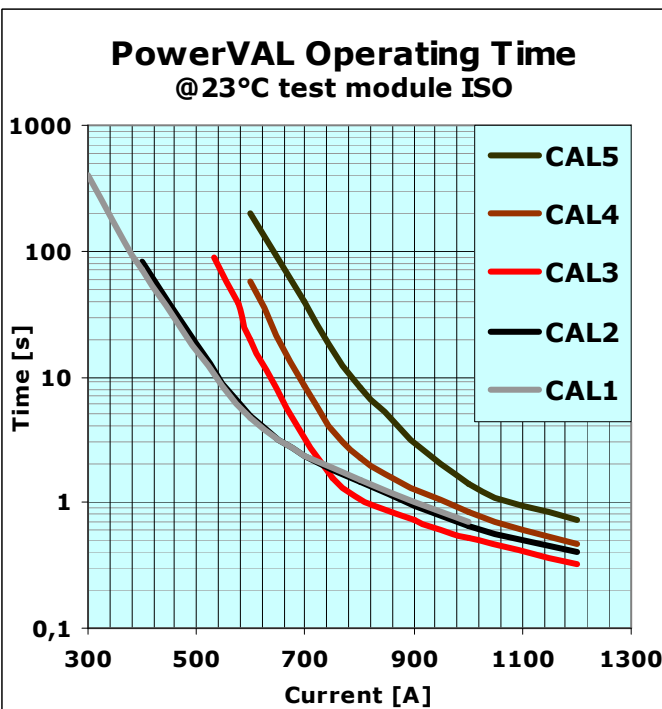


Breaking capacity: 2000[A]
Voltage rating: 32[Vdc]
Ambient temperature: -40°C to +125°C



MTA PowerVAL® operating time limits (On ISO module and wire section indicted below, brass eyelet)

| | CAL1 | CAL2 | CAL3 | CAL4 | CAL5 |
|------|---------------|---------------|---------------|---------------|---------------|
| I[A] | Typical Value | Typical Value | Typical Value | Typical Value | Typical Value |
| 400 | 70,3 | 82,6 | - | - | - |
| 500 | - | - | 107 | - | - |
| 600 | 4,76 | 4,89 | 17,1 | 58,1 | - |
| 700 | - | - | - | 8,39 | 40 |
| 750 | - | - | 1,59 | - | - |
| 800 | 1,50 | 1,46 | - | 2,28 | 8,04 |
| 900 | - | - | 0,730 | - | - |
| 1000 | 0,695 | 0,655 | 0,520 | 0,726 | 1,429 |
| 1200 | - | 0,407 | 0,321 | 0,474 | 0,724 |



| FUSE | BASE MATERIAL | VOLTAGE DROP CURRENT [A] | VOLTAGE DROP @ current [mV] | CABLE SIZE [mm ²] |
|------|---------------|--------------------------|-----------------------------|-------------------------------|
| CAL1 | Zn | 150 | 22,5 | 16 |
| CAL2 | Zn | 150 | 23,5 | 25 |
| CAL3 | Cu | 150 | 30,4 | 50 |
| CAL4 | Cu | 180 | 35,1 | 50 |
| CAL5 | Cu | 180 | 29,7 | 50 |