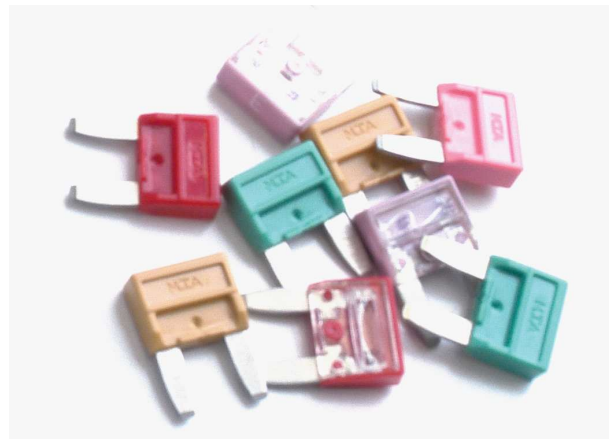


MINIVAL[®] BLADE TYPE FUSE

MiniVAL[®] fuses are compliant with ISO 8820-3 Standard (Type "F"): This medium slow fuse is the most popular standard in automotive protection for low cross-section wires.

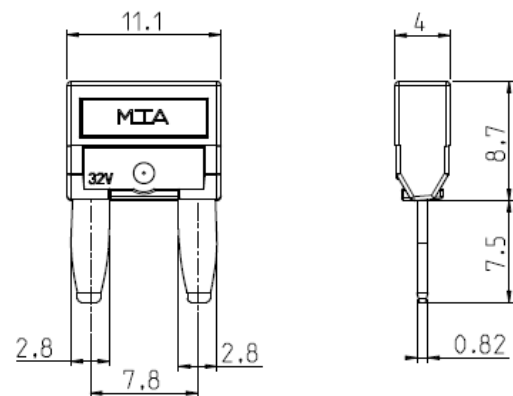
MiniVAL[®] are made of Zinc alloy, whose low melting temperature avoids heavy over temperatures.

Breaking capacity: 1000[A]
Voltage rating: 32[Vdc]
Ambient temperature: -40°C to +125°C

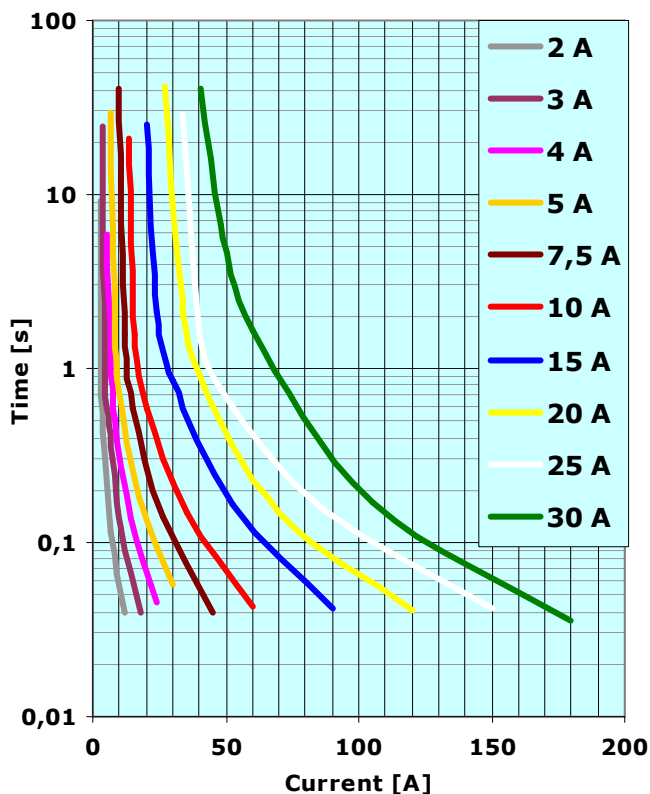


MTA/ISO MiniVAL [®] operating time limits		
% I _N	min [s]	max [s]
110	360000	-
135	0,75	120 (*)
160	0,25	50
200	0,15	5
350	0,04	0,5
600	0,02	0,1

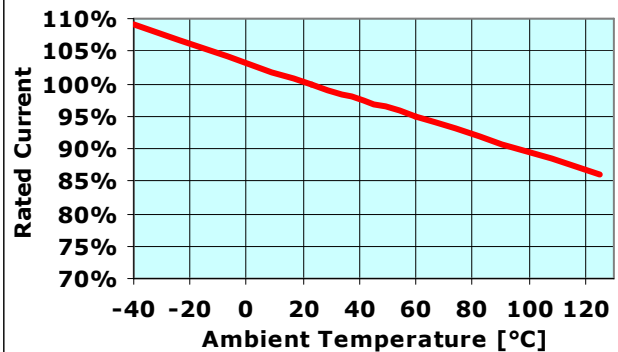
(*) Exceeds ISO requirements (600 Sec)



MiniVAL[®] Operating Time
 @23°C test module ISO



MiniVAL[®] Re-Rating Curve.
 Test module ISO



CURRENT RATING [A]	VOLTAGE DROP @ current rating [mV]	CABLE SIZE [mm ²]	I ² t
2	128	0,35	135,
3	122		115
4	121		156
5	112	0,5	217
7,5	110	0,75	256
10	106	1,0	387
15	105	1,5	720
20	97	2,5	980
25	96		1344
30	95	4,0	1692