

4

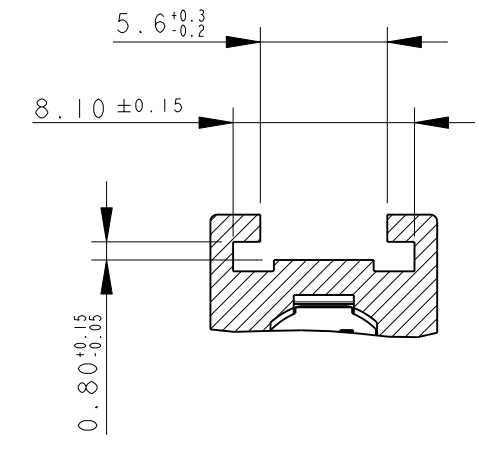
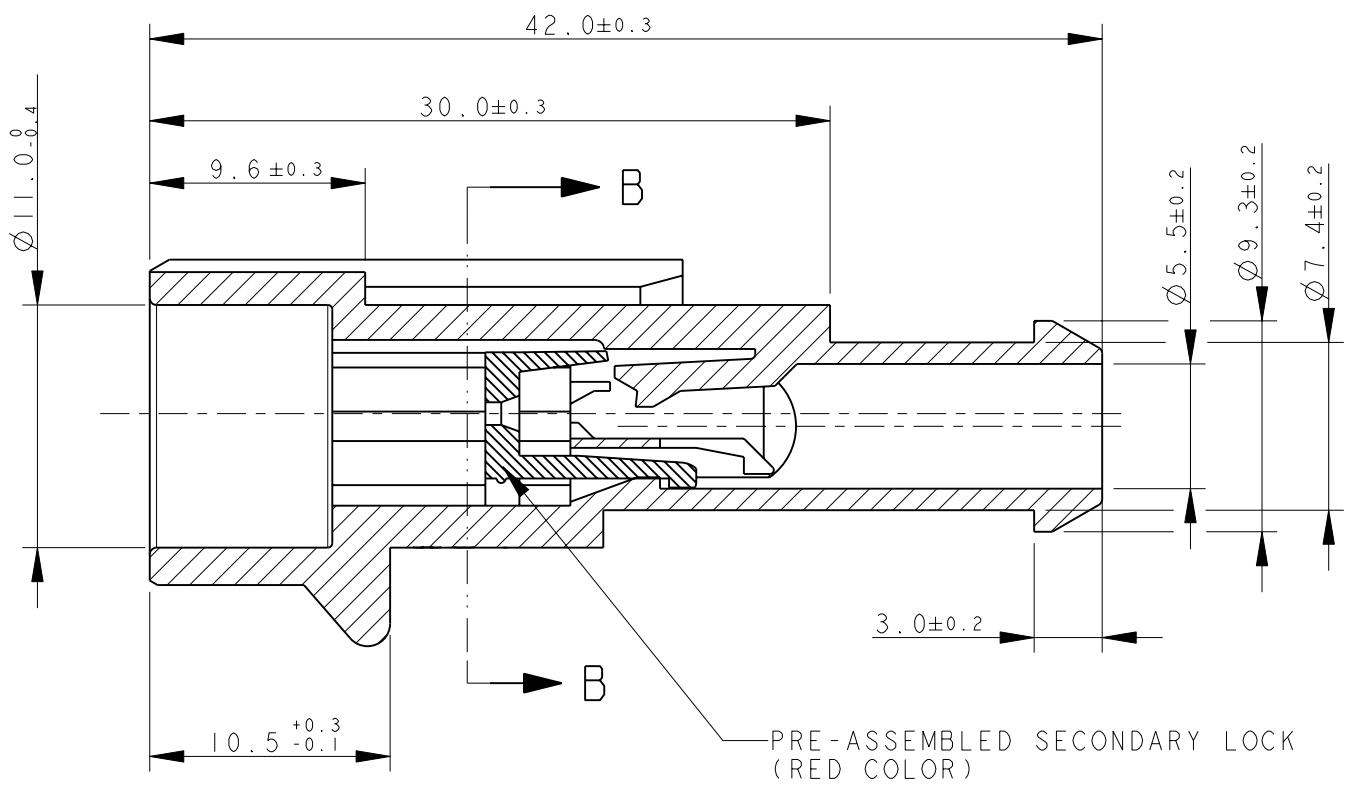
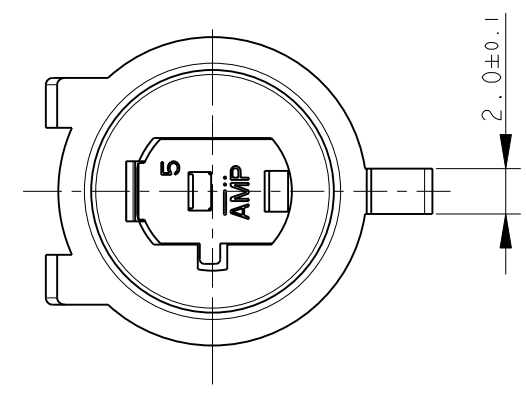
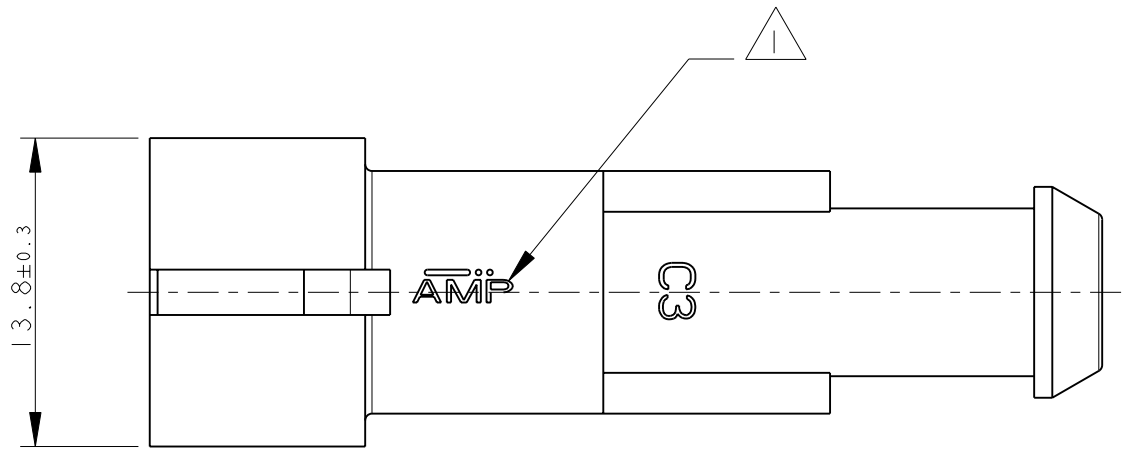
3

2

1

THIS DRAWING IS UNPUBLISHED. RELEASED FOR PUBLICATION 2009
 © COPYRIGHT 2009 BY TYCO ELECTRONICS CORPORATION. ALL INTERNATIONAL RIGHTS RESERVED.

| LOC | DIST | REVISIONS | | | | | |
|-----|------|-----------|-----|-------------------------|-----------|------|------|
| | | P | LTR | DESCRIPTION | DATE | DWN | APVD |
| 1 | - | B | | REDRAWN (ECR-10-004138) | 02MAR2010 | M.G. | M.G. |



PART SECTION B - B

| | | |
|--------------|----------|-------------|
| GRAY | PA66-GF | 282103-2 |
| BLACK | PA66-GF | 282103-1 |
| FINISH/COLOR | MATERIAL | PART NUMBER |

LOGO "AMP" O, IN ALTERNATIVA, LOGO TYCO ELECTRONICS ("AMP" TRADE MARK OR, IN ALTERNATIVE, TYCO ELECTRONICS TRADE MARK)

| | | | | | |
|--|--|---|--|---|--|
| THIS DRAWING IS A CONTROLLED DOCUMENT FOR TYCO ELECTRONICS CORPORATION IT IS SUBJECT TO CHANGE AND THE CONTROLLING ENGINEERING ORGANIZATION SHOULD BE CONTACTED FOR THE LATEST REVISION. | | DWN C. BERTINI 02-1990 CHK A. BRUNI 02-1990 APVD - PRODUCT SPEC 108-20090 APPLICATION SPEC - WEIGHT - | | Tyco Electronics Tyco Electronics AMP Italia S.r.l. Corso F.lli Cervi,15 - Collegno (TO) | |
| DIMENSIONS: mm | | TOLERANCES UNLESS OTHERWISE SPECIFIED: 0 PLC ±- 1 PLC ±0.3 2 PLC ±- 3 PLC ±- 4 PLC ±- ANGLES ±2° MATERIAL - FINISH - | | NAME AMP SUPERSEAL 1.5 SRS. 1 POSITION TAB ASS'Y SIZE A3 CAGE CODE 00779 DRAWING NO C-282103 RESTRICTED TO - | |
| CUSTOMER DRAWING | | SCALE 3:1 | | SHEET 1 OF 1 REV B | |