

4

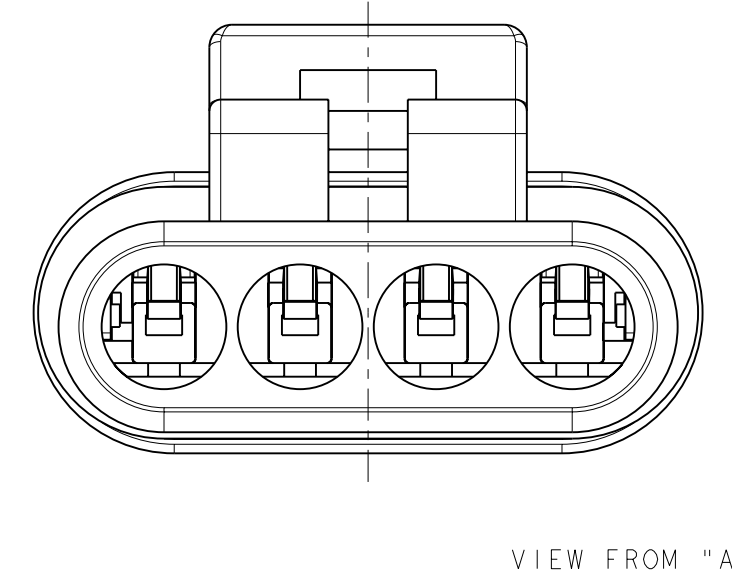
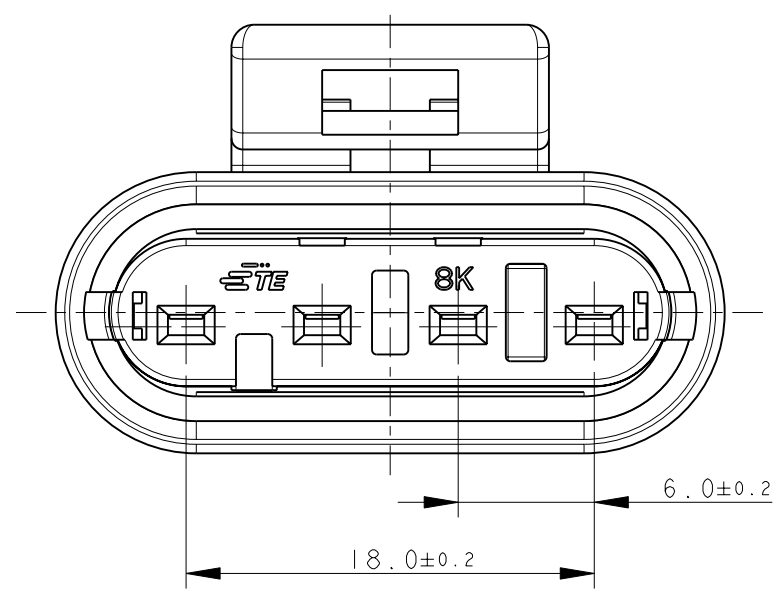
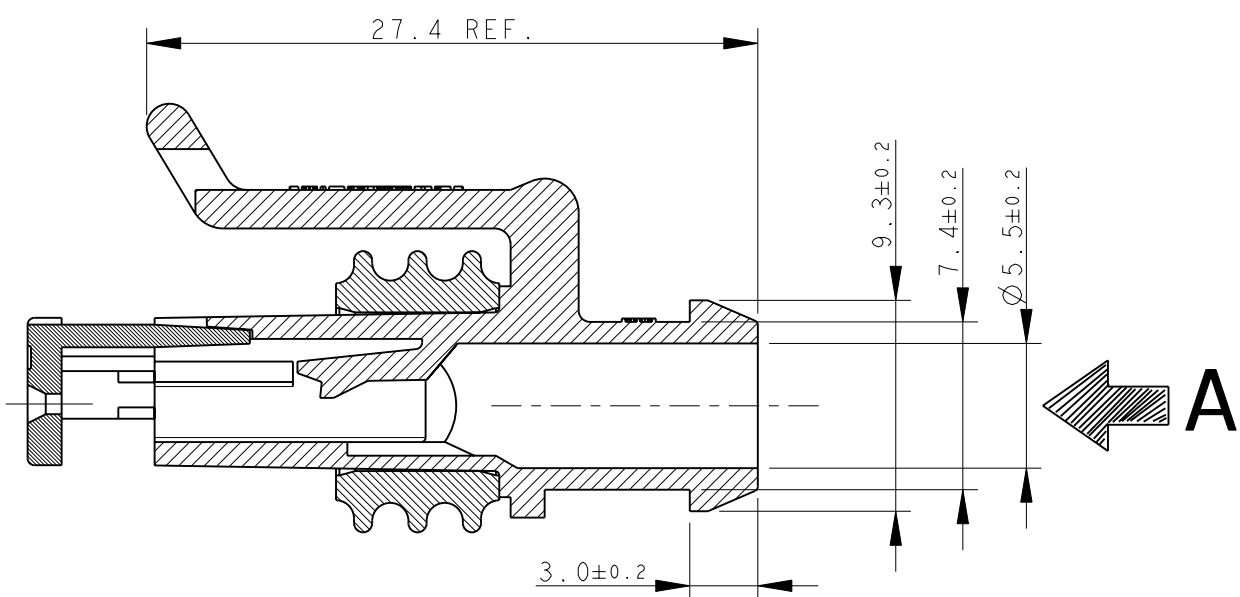
3

2

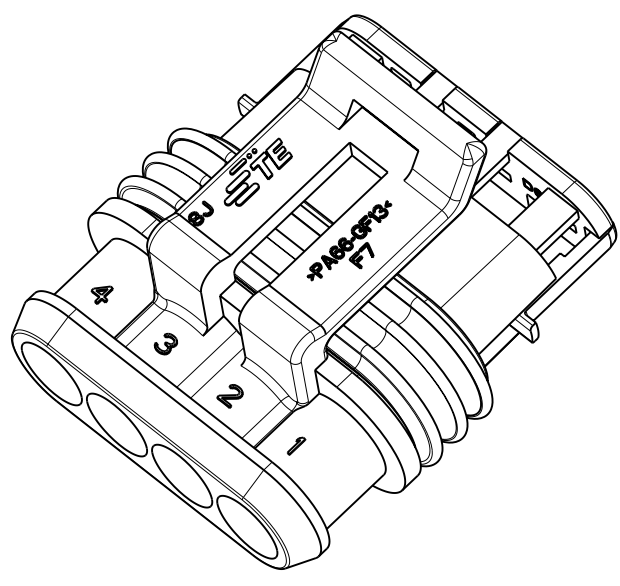
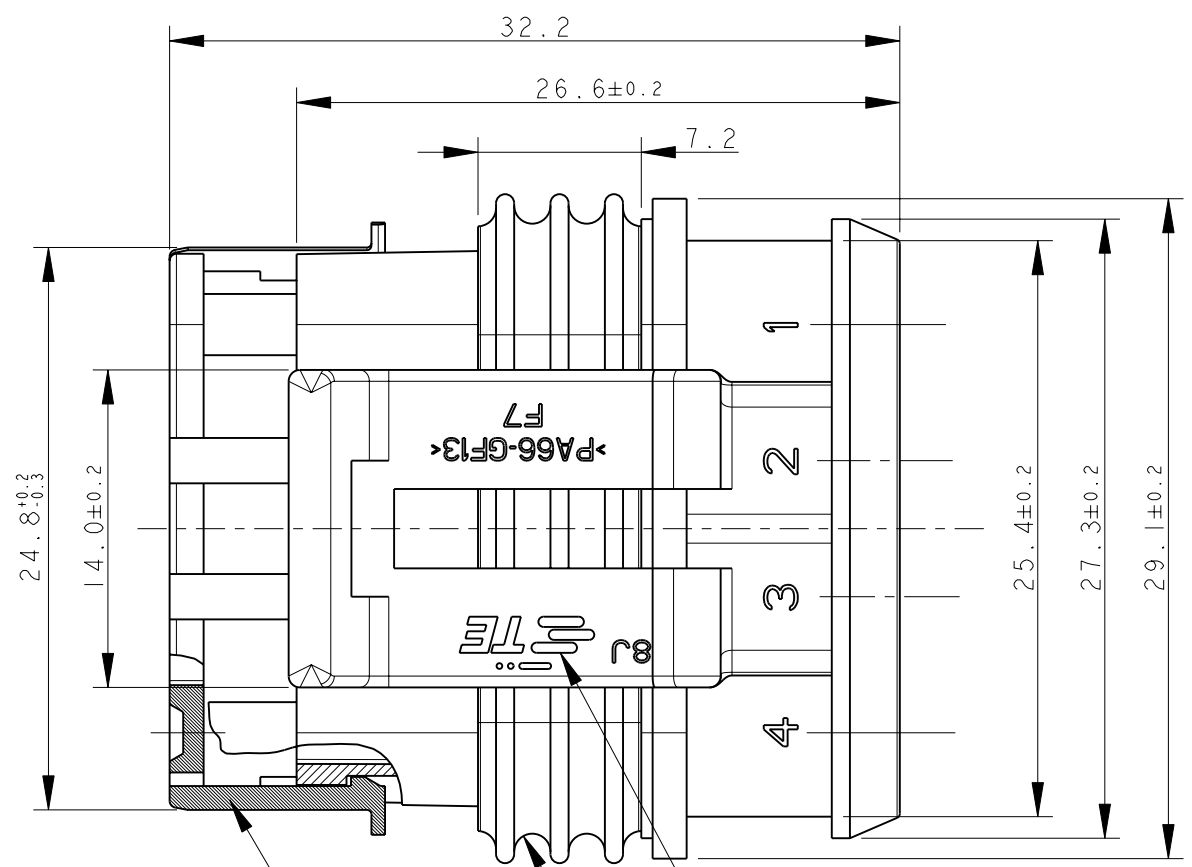
1

THIS DRAWING IS UNPUBLISHED. RELEASED FOR PUBLICATION 2007
 © COPYRIGHT 2007 ALL RIGHTS RESERVED.

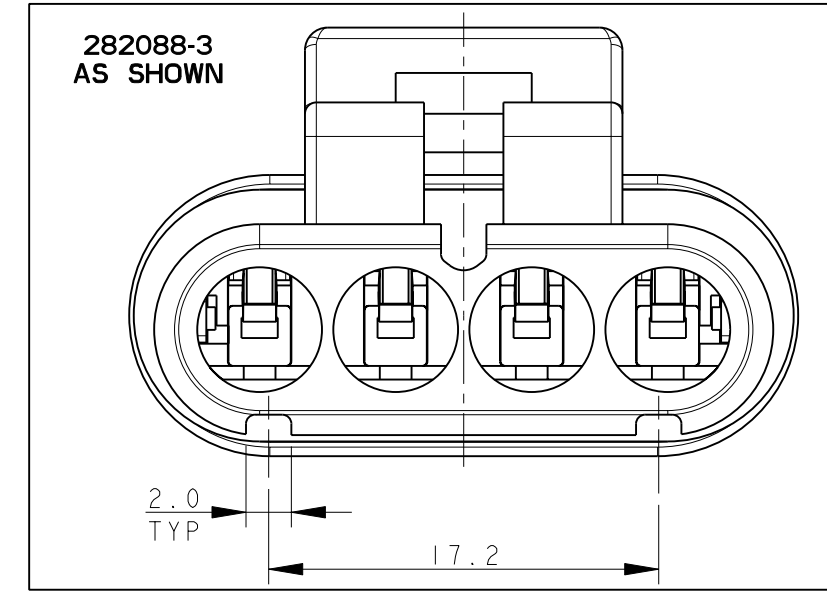
| LOC | DIST | REVISIONS | | | |
|-----|------|-----------------------------|-----------|------|------|
| P | LTR | DESCRIPTION | DATE | DWN | APVD |
| | | B4 REVISED BY ECR-11-024280 | 13DEC2011 | M.F. | M.G. |



VIEW FROM "A"



282088-1 AS SHOWN



282088-3 AS SHOWN

| BLACK (NERO) | PA66-GF | 282088-3 |
|-----------------|----------------------|----------------------|
| GRAY (GRIGIO) | PA66-GF | 282088-2 |
| BLACK (NERO) | PA66-GF | 282088-1 |
| COLOUR (COLORE) | MATERIAL (MATERIALE) | PART NUMBER (CODICE) |

TE CONNECTIVITY TRADE MARK, (IN ALTERNATIVE: "AMP" LOGO, OR "Tyco Electronics" LOGO)

SEALING (SILICONE RUBBER)

PRE-ASSEMBLED SECONDARY LOCK (RED COLOR)

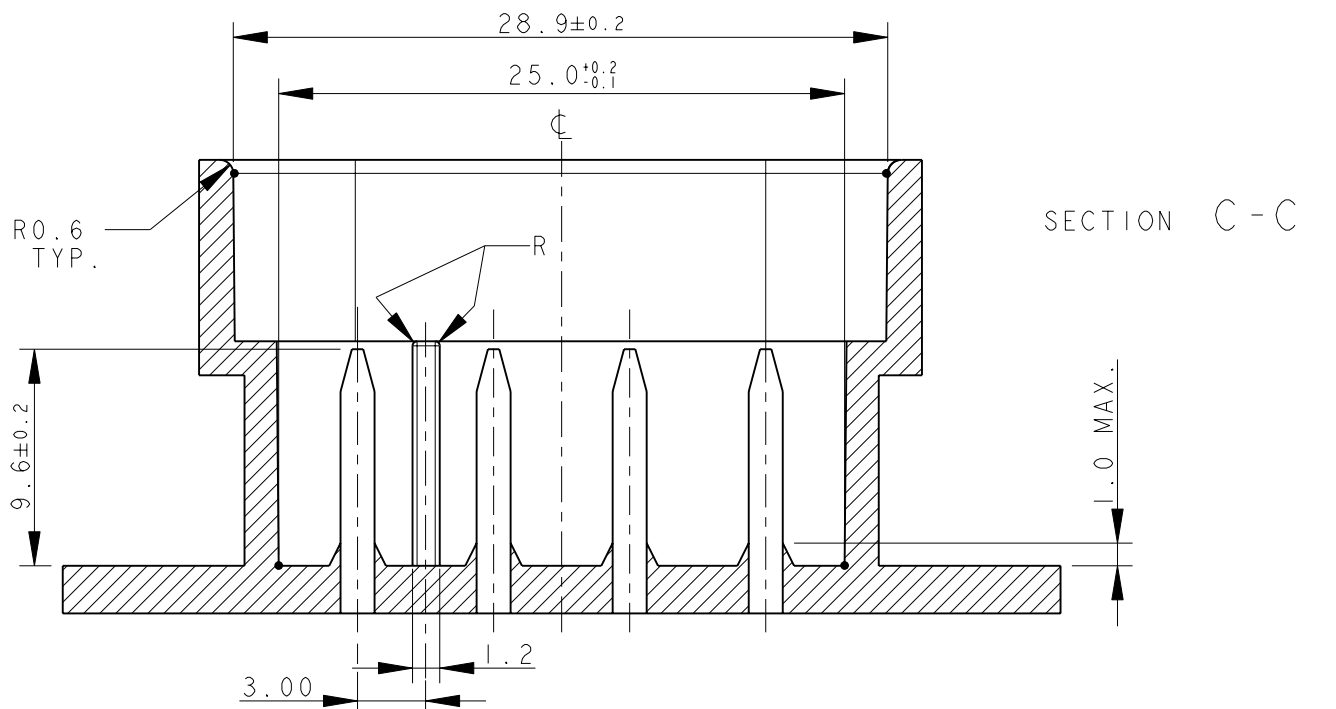
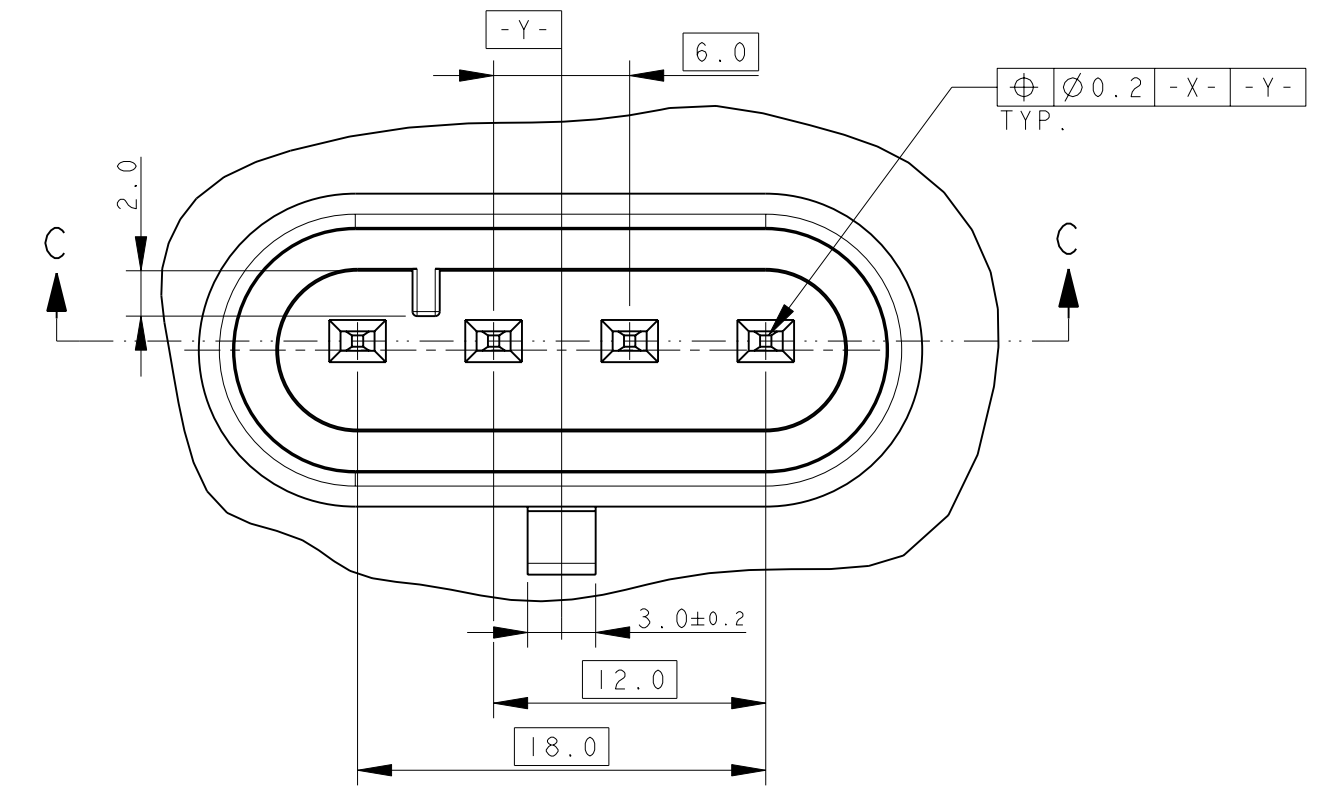
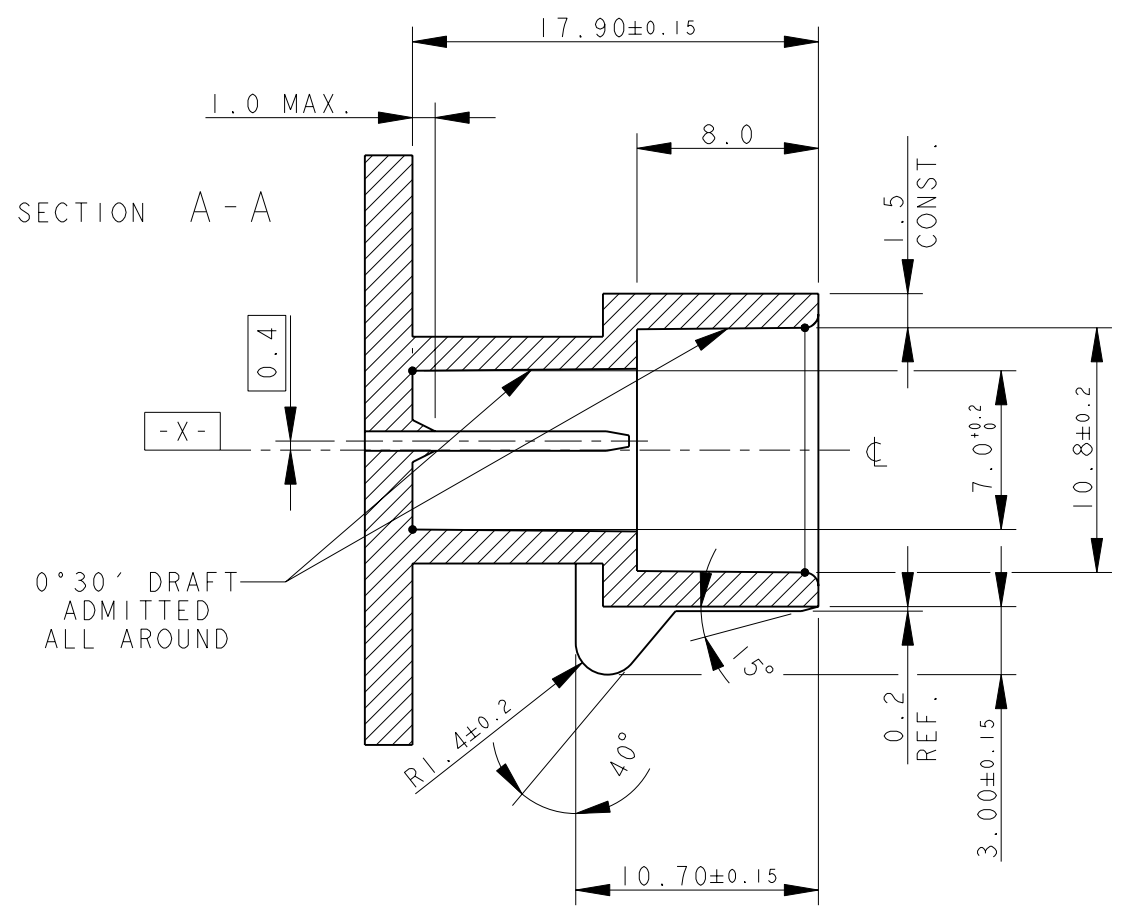
1) FOR COUNTERPART DETAILS, SEE SHEET 2 OF 2
 2) -1 AND -2 ARE DIFFERENT FOR COLOR ONLY

| | | | | | |
|----------------------------------------|--|----------------------------|--|--------------------------------------------------|-----------------|
| THIS DRAWING IS A CONTROLLED DOCUMENT. | | DWN C. BERTINI 05-1992 | | TE Connectivity | |
| DIMENSIONS: mm | | CHK A. BRUNI 05-1992 | | | |
| TOLERANCES UNLESS OTHERWISE SPECIFIED: | | APVD - | | NAME | |
| 0 PLC ±- | | PRODUCT SPEC 108-20090 | | AMP SUPERSEAL 1.5 SRS. 4 POSITIONS PLUG ASS'Y | |
| 1 PLC ±0.3 | | APPLICATION SPEC 412-20000 | | | |
| 2 PLC ±- | | WEIGHT 4.65gr | | | |
| 3 PLC ±- | | CUSTOMER DRAWING | | SIZE A3 | CAGE CODE 00779 |
| 4 PLC ±- | | FINISH - | | DRAWING NO C-282088 | RESTRICTED TO - |
| ANGLES ±2° | | | | SCALE 5:1 | SHEET 1 OF 2 |
| MATERIAL - | | | | REV B4 | |

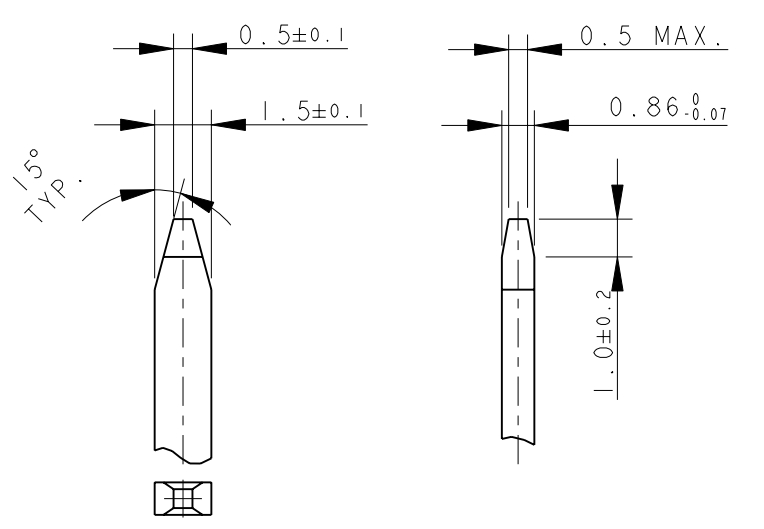
THIS DRAWING IS UNPUBLISHED. RELEASED FOR PUBLICATION 2007
 © COPYRIGHT 2007 ALL RIGHTS RESERVED.

| LOC | DIST | REVISIONS | | | |
|-----|------|-------------|------|-----|------|
| P | LTR | DESCRIPTION | DATE | DWN | APVD |
| - | - | SEE SHEET 1 | | - | - |

COUNTERPART DETAILS



TAB DETAILS



MATERIALS: PA66-GF FOR HOUSING
 TIN PLATED BRASS FOR TABS

| | | | | |
|----------------------------------------|--|---------------------------|--------------------------------------------------|-----------------------|
| THIS DRAWING IS A CONTROLLED DOCUMENT. | | DWN C. BERTINI 05-1992 | TE Connectivity | |
| DIMENSIONS: mm | | CHK A. BRUNI 05-1992 | | |
| TOLERANCES UNLESS OTHERWISE SPECIFIED: | | APVD - | NAME | |
| 0 PLC ±0.3 | | PRODUCT SPEC - | AMP SUPERSEAL 1.5 SRS. 4 POSITIONS PLUG ASS'Y | |
| 1 PLC ±0.1 | | APPLICATION SPEC - | | |
| 2 PLC ±0.05 | | WEIGHT - | SIZE A300779 | CAGE CODE C-282088 |
| 3 PLC ± | | CUSTOMER DRAWING | SCALE 3:1 | SHEET 2 OF 2 |
| 4 PLC ± | | | RESTRICTED TO - | REV B4 |
| ANGLES ±2° | | | | |
| FINISH | | | | |