

4

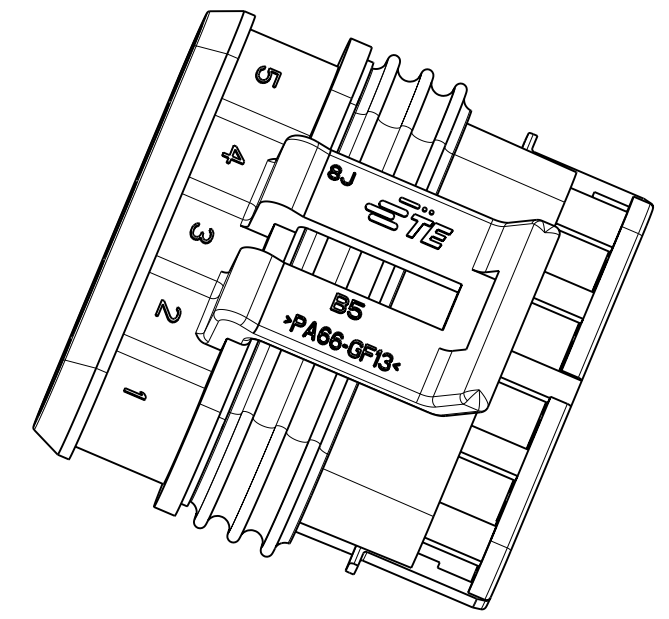
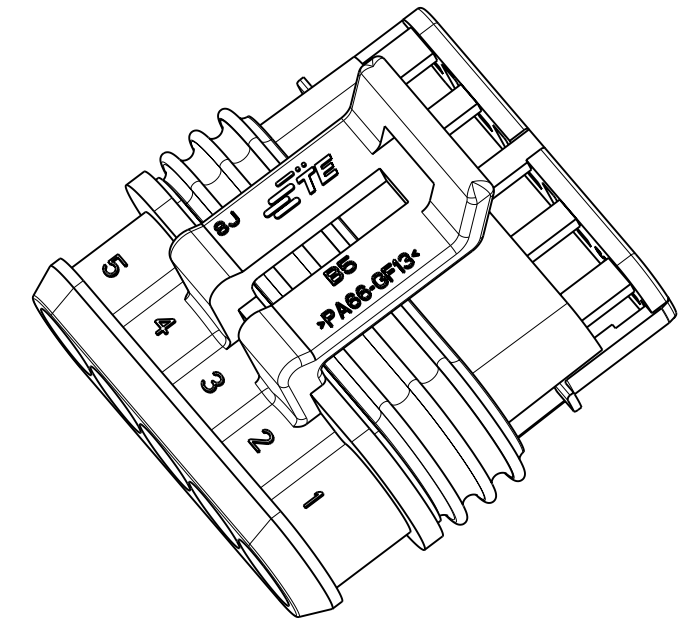
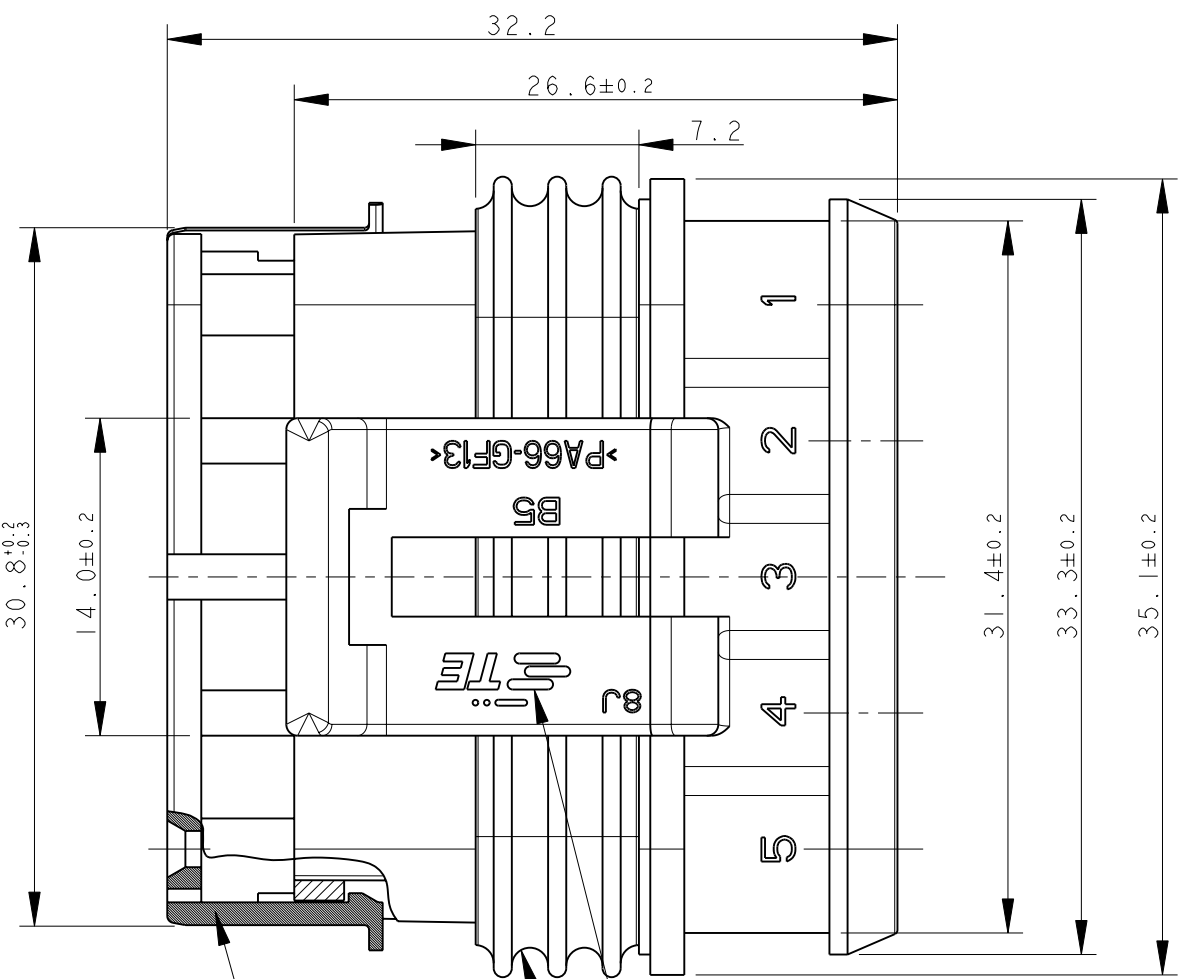
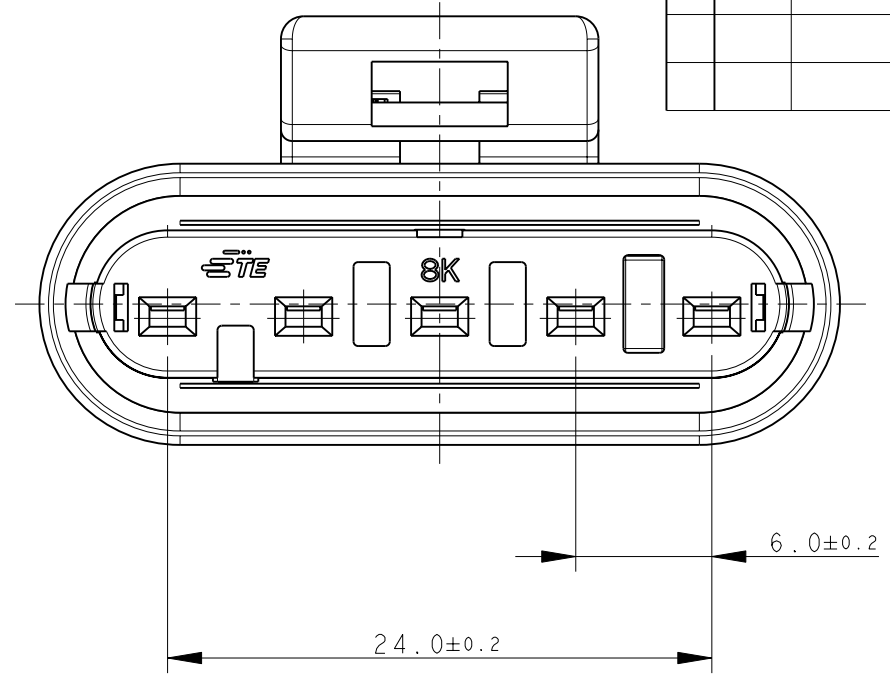
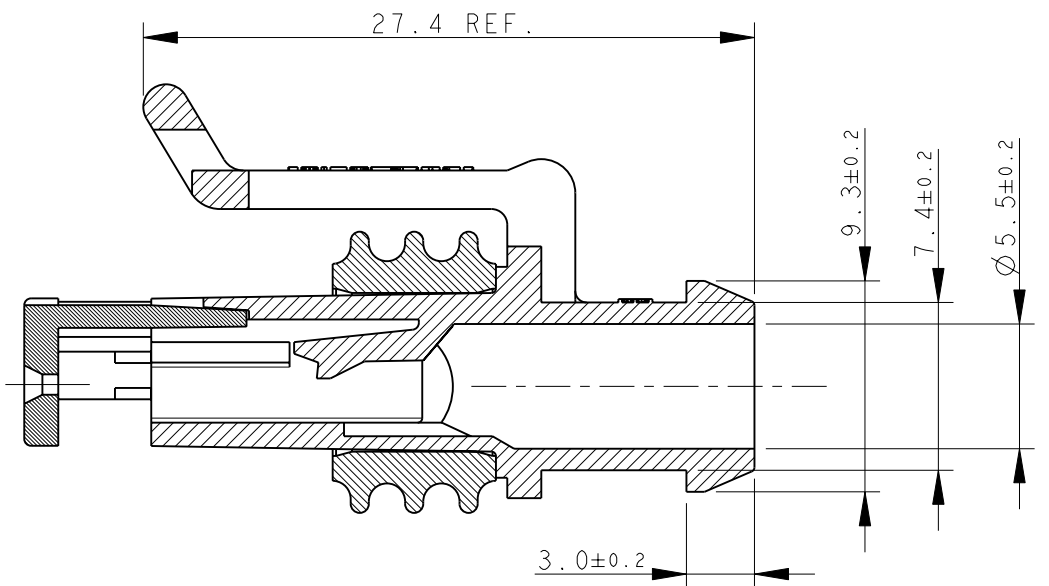
3

2

1

THIS DRAWING IS UNPUBLISHED. RELEASED FOR PUBLICATION 2011
 © COPYRIGHT 2011 ALL RIGHTS RESERVED.

LOC	DIST	REVISIONS			
P	LTR	DESCRIPTION	DATE	DWN	APVD
1	-	C5	REVISED BY ECR-11-024280	13DEC2011	M.F. M.G.



1) FOR COUNTERPART DETAILS, SEE SHEET 2 OF 2

GRAY	PA66-GF	282089-2
BLACK	PA66-GF	282089-1
FINISH/COLOR	MATERIAL	PART NUMBER

TE CONNECTIVITY TRADE MARK,
 (IN ALTERNATIVE: "AMP" LOGO,
 OR "Tyco Electronics" LOGO)
 SEALING (SILICONE RUBBER)
 PRE-ASSEMBLED SECONDARY LOCK (RED COLOR)

THIS DRAWING IS A CONTROLLED DOCUMENT.		DWN C. BERTINI 05-1992	TE Connectivity		
DIMENSIONS: mm		CHK A. BRUNI 05-1992			
TOLERANCES UNLESS OTHERWISE SPECIFIED:		APVD -	NAME		
0 PLC ±- 1 PLC ±0.3 2 PLC ±- 3 PLC ±- 4 PLC ±- ANGLES ±2°		PRODUCT SPEC 108-20090	AMP SUPERSEAL 1.5 SRS. 5 POSITIONS PLUG ASS'Y		
MATERIAL -		APPLICATION SPEC 412-20000	SIZE A3	CAGE CODE 00779	DRAWING NO C-282089
FINISH -		WEIGHT 5.45gr	RESTRICTED TO -		
CUSTOMER DRAWING			SCALE 1:1	SHEET 1 OF 2	REV C5

THIS DRAWING IS UNPUBLISHED.

RELEASED FOR PUBLICATION

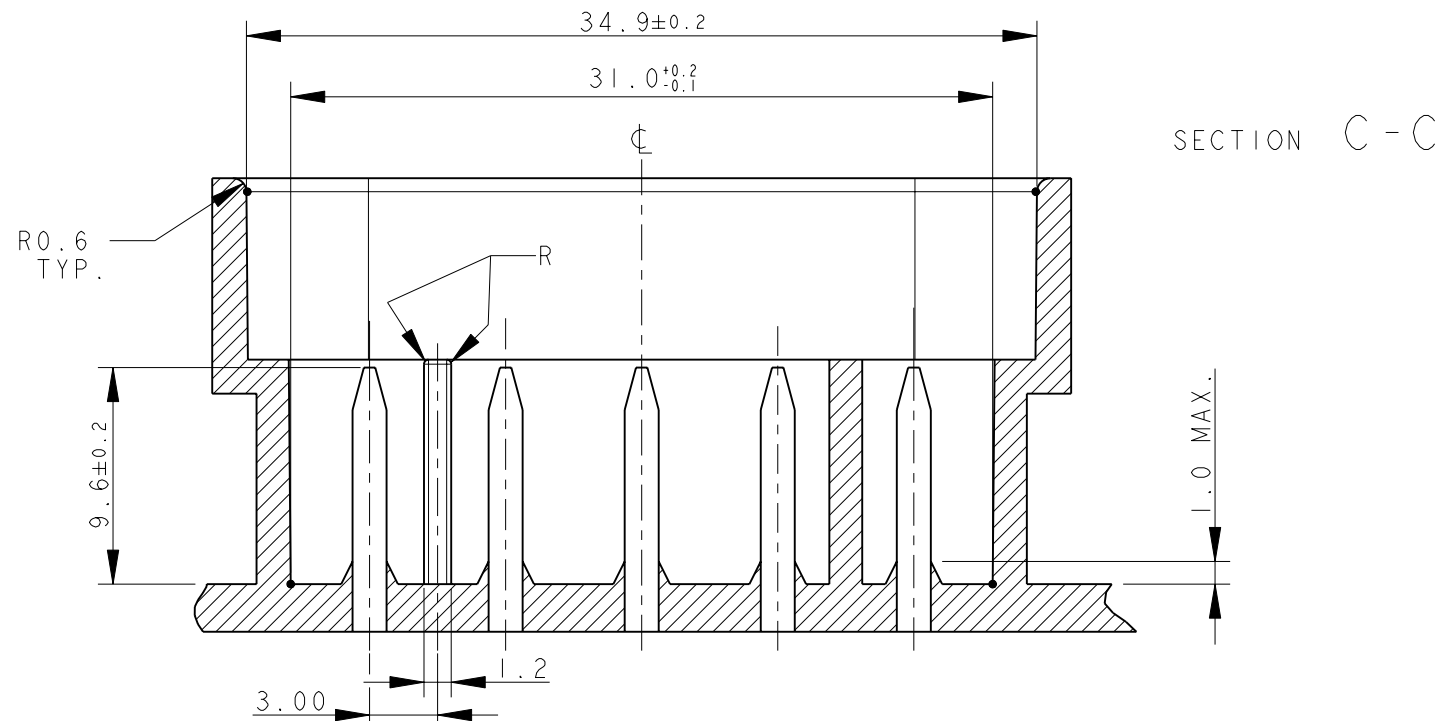
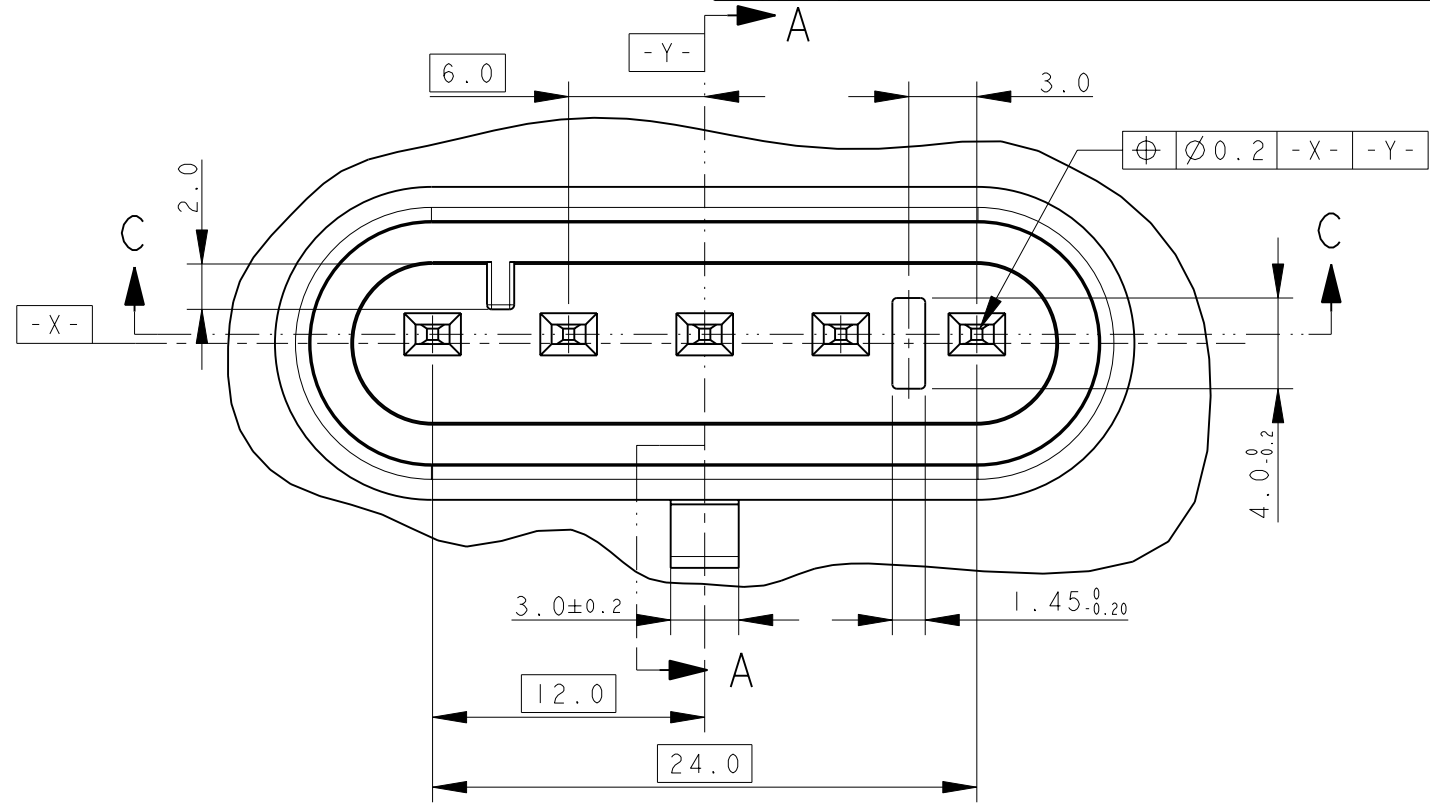
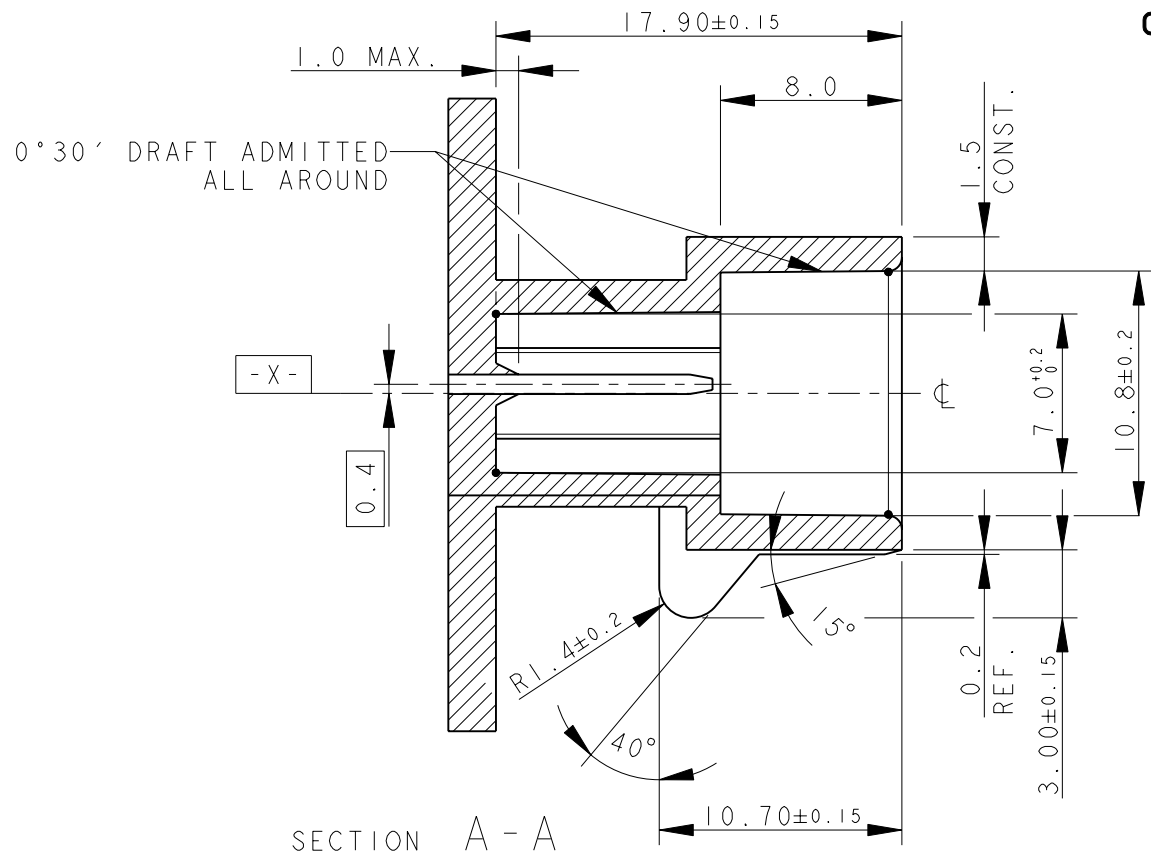
2011

© COPYRIGHT 2011

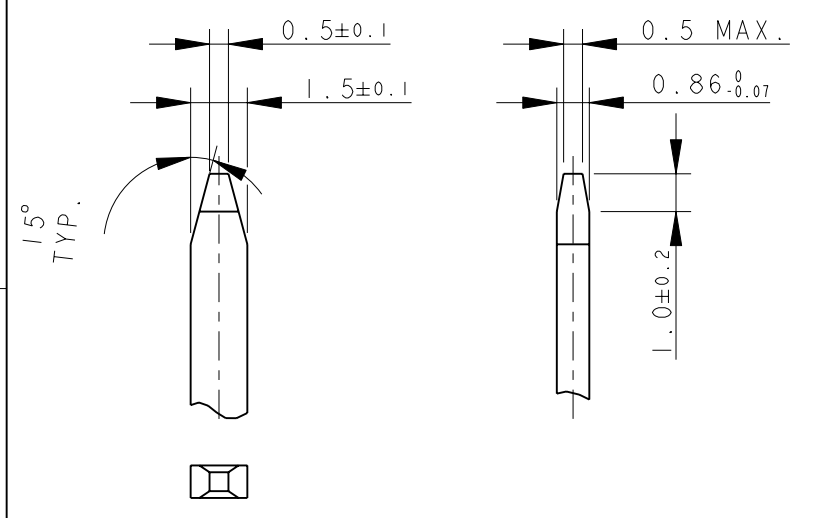
ALL RIGHTS RESERVED.

LOC	DIST	P	LTR	DESCRIPTION	DATE	DWN	APVD
1	-			SEE SHEET 1			

COUNTERPART DETAILS



TAB DETAILS



MATERIALS: PA66-GF FOR HOUSING
TIN PLATED BRASS FOR TABS

THIS DRAWING IS A CONTROLLED DOCUMENT.		DWN C. BERTINI 05-1992	TE Connectivity	
DIMENSIONS: mm		CHK A. BRUNI 05-1992		
TOLERANCES UNLESS OTHERWISE SPECIFIED:		APVD -	NAME	
0 PLC ±0.3		PRODUCT SPEC -	AMP SUPERSEAL 1.5 SRS. 5 POSITIONS PLUG ASS'Y	
1 PLC ±0.1		APPLICATION SPEC -	SIZE A300779	CAGE CODE C-282089
2 PLC ±0.05		WEIGHT -	RESTRICTED TO -	
3 PLC ±		CUSTOMER DRAWING	SCALE 3:1	SHEET 2 OF 2
4 PLC ±			REV C5	
ANGLES ±2°				
FINISH				