

4

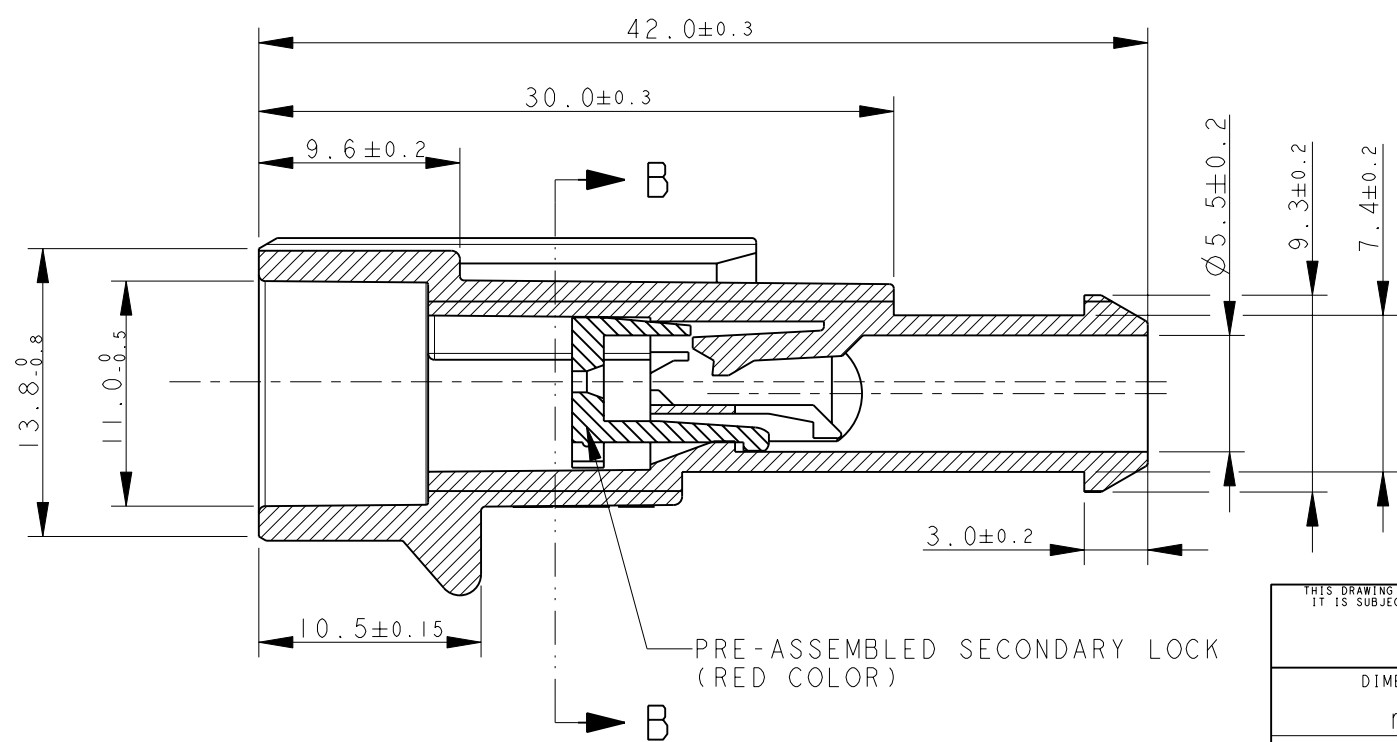
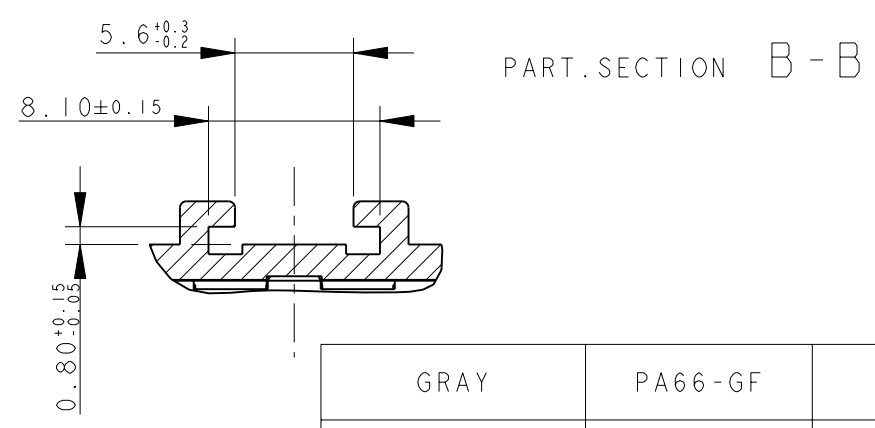
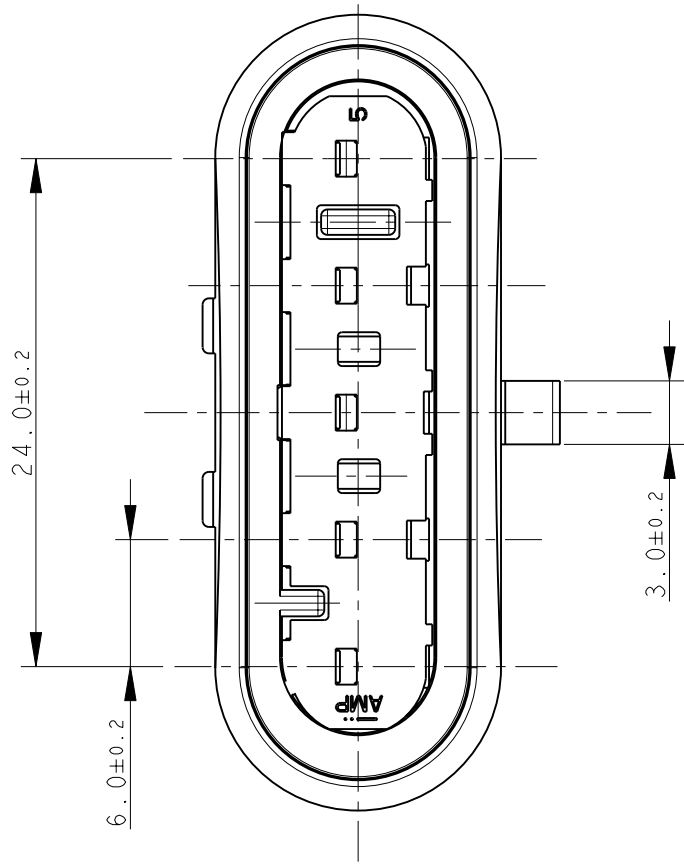
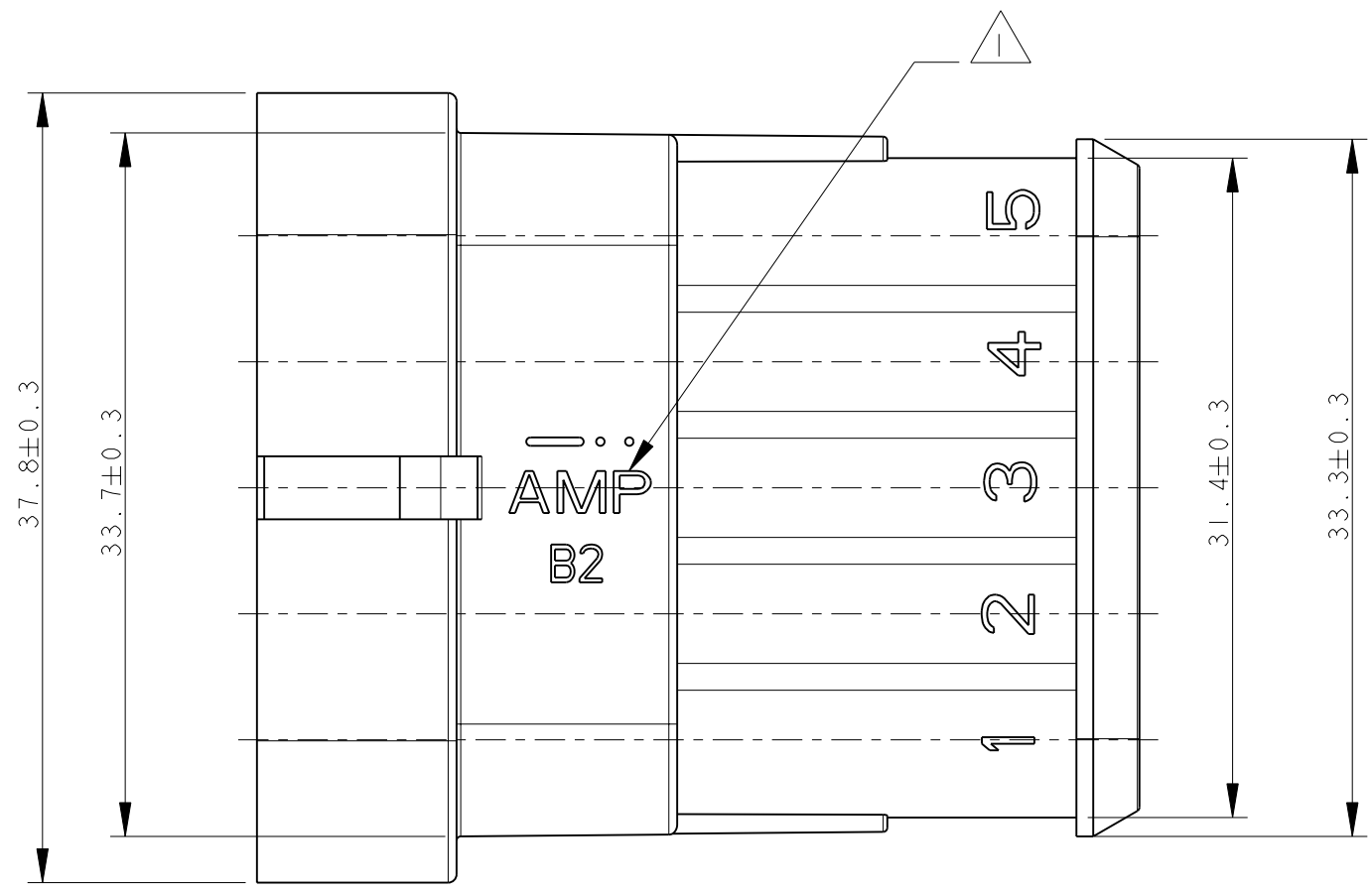
3

2

1

THIS DRAWING IS UNPUBLISHED. RELEASED FOR PUBLICATION 2009
 © COPYRIGHT 2009 BY TYCO ELECTRONICS CORPORATION. ALL INTERNATIONAL RIGHTS RESERVED.

LOC	DIST	REVISIONS					
		P	LTR	DESCRIPTION	DATE	DWN	APVD
1	-	B		REDRAWN (ECR-10-004138)	02MAR2010	M.G.	M.G.



GRAY	PA66-GF	282107-2
BLACK	PA66-GF	282107-1
FINISH/COLOR	MATERIAL	PART NUMBER

Tyco Electronics AMP Italia S.r.l. Corso F.lli Cervi,15 - Collegno (TO)			
NAME		AMP SUPERSEAL 1.5 SRS. 5 POSITIONS TAB ASS'Y	
SIZE	CAGE CODE	DRAWING NO	RESTRICTED TO
A3	00779	C-282107	-
CUSTOMER DRAWING		SCALE	SHEET 1 OF 1 REV B

THIS DRAWING IS A CONTROLLED DOCUMENT FOR TYCO ELECTRONICS CORPORATION IT IS SUBJECT TO CHANGE AND THE CONTROLLING ENGINEERING ORGANIZATION SHOULD BE CONTACTED FOR THE LATEST REVISION.	
DIMENSIONS:	TOLERANCES UNLESS OTHERWISE SPECIFIED:
mm	
0 PLC	±
1 PLC	±0.3
2 PLC	±
3 PLC	±
4 PLC	±
ANGLES	±2°
MATERIAL	FINISH
-	-

DWN	02-1990
C. BERTINI	
CHK	02-1990
A. BRUNI	
APVD	-
PRODUCT SPEC	108-20090
APPLICATION SPEC	-
WEIGHT	-

LOGO "AMP" O, IN ALTERNATIVA, LOGO TYCO ELECTRONICS ("AMP" TRADE MARK OR, IN ALTERNATIVE, TYCO ELECTRONICS TRADE MARK)