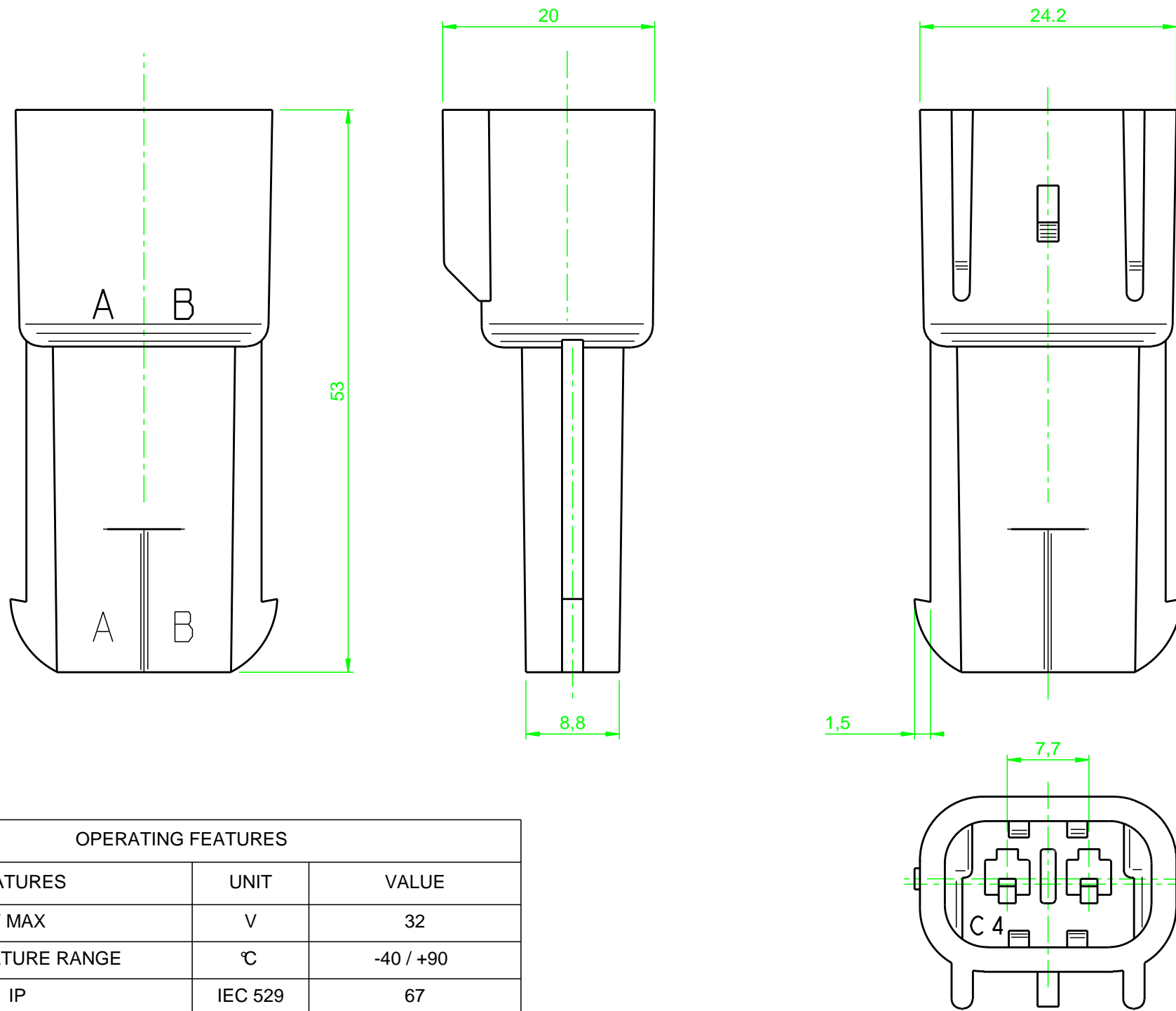


REV.	REVISION HISTORY	NAME	DATE
0	FIRST ISSUE	S.MANZONI	14.07.15
-	-	-	-



OPERATING FEATURES		
FEATURES	UNIT	VALUE
V MAX	V	32
TEMPERATURE RANGE	°C	-40 / +90
IP	IEC 529	67
FLAMMABILITY	UL 94	HB
	FMVSS 302	≤100 mm/min

UNCONTROLLED COPY
 in case of drawing updating/revision
 NO AUTOMATIC
 resubmission will follow

MTA	MTA P/N	4423540	Denom.	CONNECTOR 2 WAYS MH SEAL 280
	Draw No.	B0-261.R03A	Used for	TERMINALS M280
	Date	Name	Draw for	CLIENT
Draft.	14.07.15	S.MANZONI	Scale	Weight(g)
Chk	-	-	Lin.Tol.±	Ang.Tol.±
Verif.	17.07.15	M.PASQUANDREA	2:1	-
PQApp	21.07.15	M.ROSSI	A3	ISO 2768-1(C)
App.	21.07.15	D.BERTOLI	CAD Software PTC Creo	
			Dimensions in (mm)	Sheet 1/1
			Coating	-
			Colour	BLACK
			Note	

REV. 0 All proprietary rights reserved by MTA S.p.A. - This drawing shall not be reproduced, or in any way utilized, for the manufacture of the component or unit herein illustrated and must not be released to other parties, without written consent. Any infringement will be legally pursued.