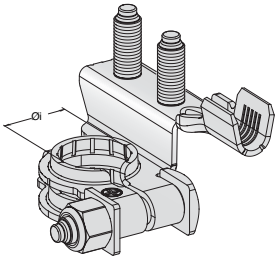

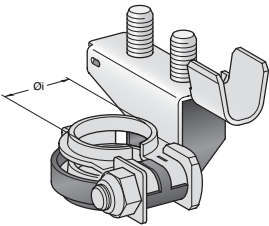
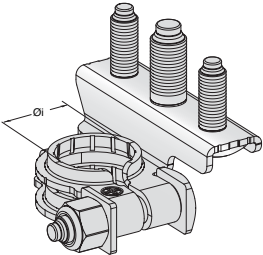

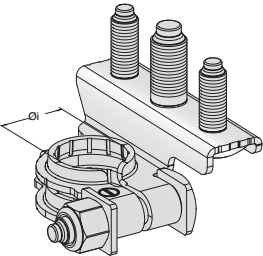

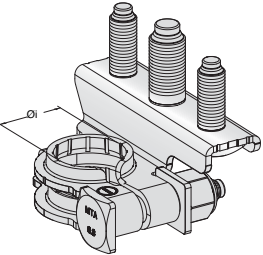
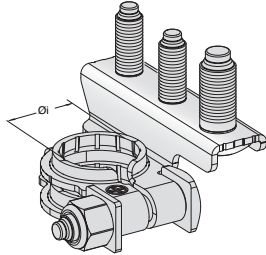
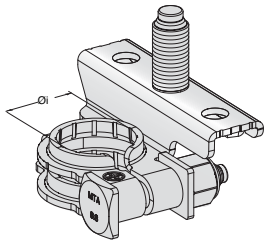
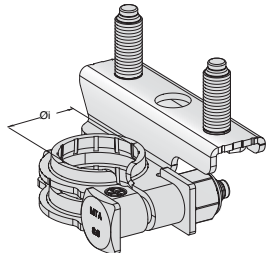
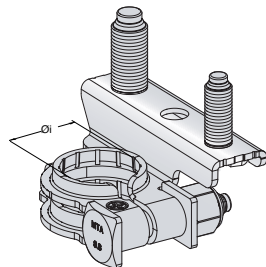
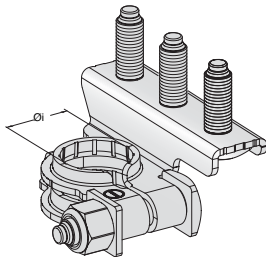


The background features a white line-art illustration of various battery terminals and components. At the top, three cylindrical terminals with horizontal ridges are shown. Below them, a larger, more complex terminal assembly is depicted, including a circular base with internal slots and a rectangular housing with a circular opening. The entire scene is rendered in a clean, technical style against a solid blue background.

# MORSETTO BATTERIA

Battery Terminals  
Bornes Batterie  
Batterieklemmen

| DISEGNO<br>DRAWING<br>DESSIN<br>ZEICHNUNG  | SEZIONE CAVO<br>CABLE SECTION<br>SECTION DU CABLE<br>KABEL QUERSCHNITT<br>mm <sup>2</sup> | POLARITA'<br>POLARITY<br>POLARITÉ<br>POLUNG | Øi<br>mm | A<br>mm | MATERIALE<br>MATERIAL<br>MATERIEL<br>WERKSTOFF | REF.                 | PCS       |
|--|---|---|----------|---------|--|----------------------|-----------|
| M66DX<br><br>   | 10÷20   | +   | 19       | -       | CuZn-Sn  | 15.07800<br>15.07801 | 250<br>10 |
| <br><br>M66<br><br>        | 10÷20   | -   | 17       | -       | CuZn-Sn  | 15.56680<br>15.06681 | 300<br>10 |
| M686DX<br><br>  | -   | +   | 19       | -       | CuZn-Sn  | 15.07700<br>15.07701 | 250<br>10 |
| <br><br>M686DX<br><br> | -   | -   | 17       | -       | CuZn-Sn  | 15.07705<br>15.07704 | 250<br>10 |
| <br><br>M686SX<br><br> | -   | -   | 17       | -       | CuZn-Sn  | 15.07725             | 250       |

| DISEGNO<br>DRAWING<br>DESSIN<br>ZEICHNUNG   | SEZIONE CAVO<br>CABLE SECTION<br>SECTION DU CÂBLE<br>KABEL QUERSCHNITT<br>mm <sup>2</sup> | POLARITA'<br>POLARITY<br>POLARITÉ<br>POLUNG | Øi<br>mm | A<br>mm | MATERIALE<br>MATERIAL<br>MATÉRIEL<br>WERKSTOFF | REF.     | PCS |
|---|---|---|----------|---------|--|----------|-----|
| M668DX<br><br>   | -   | +   | 19       | -       | CuZn-Sn  | 15.07710 | 250 |
| M080SX<br><br>   | -   | +   | 19       | -       | CuZn-Sn  | 15.07760 | 250 |
| M606SX<br><br> | -   | +   | 19       | -       | CuZn-Sn  | 15.07770 | 250 |
| M806DX<br><br> | -   | +   | 19       | -       | CuZn-Sn  | 15.07795 | 250 |
| M666DX<br><br> | -   | -   | 17       | -       | CuZn-Sn  | 15.07706 | 220 |

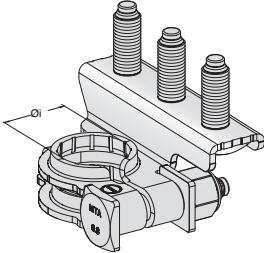
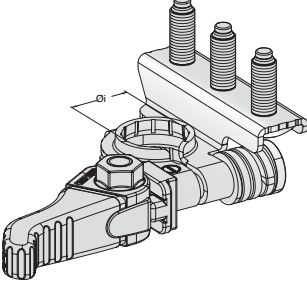
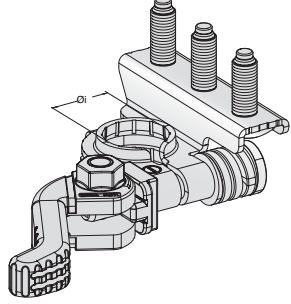
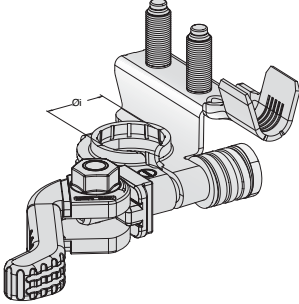
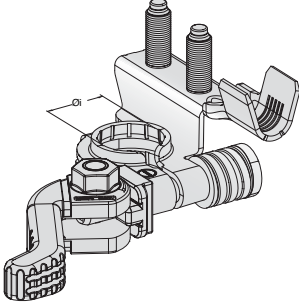
NEW

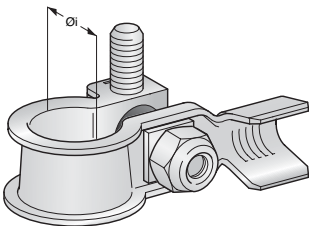
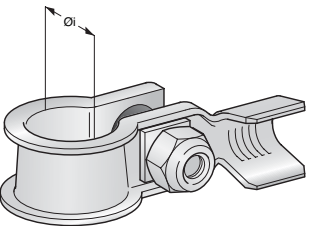
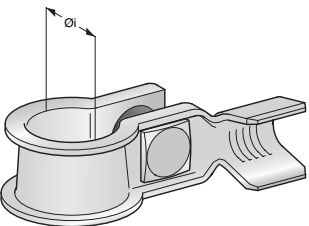
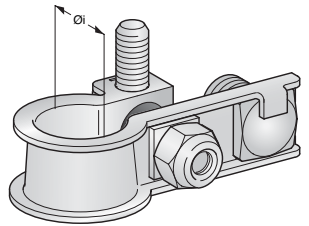
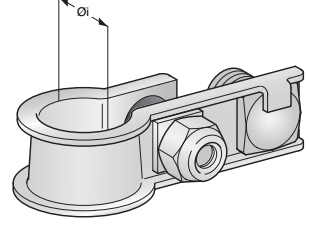
NEW

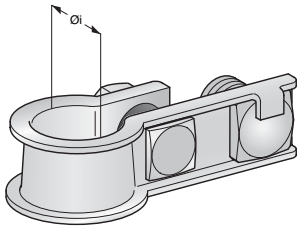
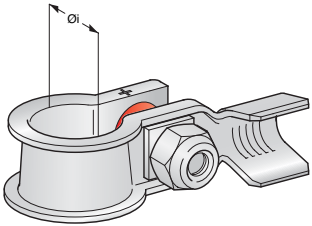
NEW

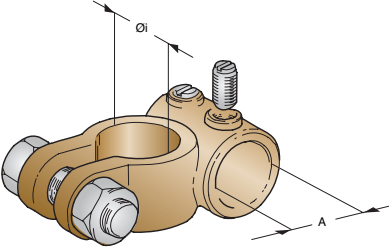
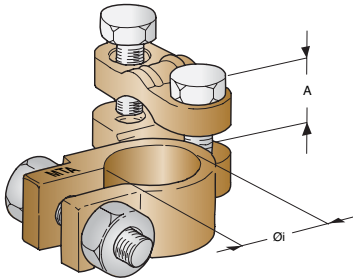
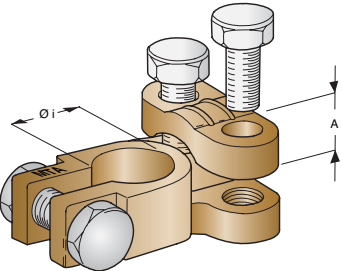
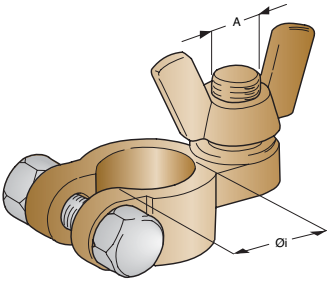
NEW

NEW

| DISEGNO<br>DRAWING<br>DESSIN<br>ZEICHNUNG   | SEZIONE CAVO<br>CABLE SECTION<br>SECTION DU CABLE<br>KABEL QUERSCHNITT<br>mm <sup>2</sup> | POLARITA'<br>POLARITY<br>POLARITÉ<br>POLUNG | Øi<br>mm | A<br>mm | MATERIALE<br>MATERIAL<br>MATERIEL<br>WERKSTOFF | REF.                 | PCS      |
|---|---|---|----------|---------|--|----------------------|----------|
| M666SX<br><br>   | -   | -   | 17       | -       | CuZn-Sn  | 15.07736             | 250      |
| M666SX<br><br>  | -   | -   | 17       | -       | CuZn-Sn<br>PBT<br>GF40                         | 15.07905<br>15.07904 | 200<br>1 |
| M666DX<br><br> | -   | -   | 17       | -       | CuZn-Sn<br>PBT<br>GF40                         | 15.07915<br>15.07916 | 200<br>1 |
| M66DX<br><br>  | 10÷20   | -   | 17       | -       | CuZn-Sn<br>PBT<br>GF40                         | 15.07925<br>15.07926 | 200<br>1 |
| M66DX<br><br>  | 25÷40   | -   | 17       | -       | CuZn-Sn<br>PBT<br>GF40                         | 15.07955<br>15.07956 | 200<br>1 |

| DISEGNO<br>DRAWING<br>DESSIN<br>ZEICHNUNG  | SEZIONE CAVO<br>CABLE SECTION<br>SECTION DU CÂBLE<br>KABEL QUERSCHNITT<br>mm <sup>2</sup> | POLARITA'<br>POLARITY<br>POLARITÉ<br>POLUNG | $\varnothing_i$<br><br>mm | A<br><br>mm | MATERIALE<br>MATERIAL<br>MATÉRIEL<br>WERKSTOFF | REF.                 | PCS       |
|--|---|---|---------------------------|-------------|--|----------------------|-----------|
| M6<br><br>    | 10÷20   | -   | 17                        | -           | CuZn-Sn  | 15.06651<br>15.06650 | 10<br>400 |
|  | 25÷40   | -   | 17                        | -           | CuZn-Sn  | 15.06660             | 400       |
|               | 10÷20   | -   | 17                        | -           | CuZn-Sn  | 15.06656<br>15.06655 | 10<br>400 |
|  | 25÷40   | -   | 17                        | -           | CuZn-Sn  | 15.06666<br>15.06665 | 10<br>400 |
| SX<br><br>  | 10÷20   | -   | 17                        | -           | CuZn-Sn  | 15.06658             | 400       |
|  | 25÷40   | -   | 17                        | -           | CuZn-Sn  | 15.06668             | 400       |
| M68<br><br> | -   | -   | 17                        | -           | CuZn-Sn  | 15.06671<br>15.06670 | 10<br>400 |
| M8<br><br>  | -   | -   | 17                        | -           | CuZn-Sn  | 15.06675             | 400       |

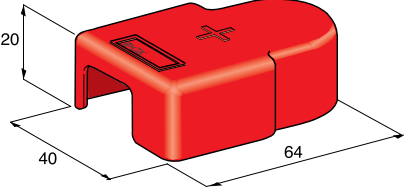
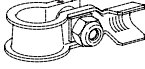
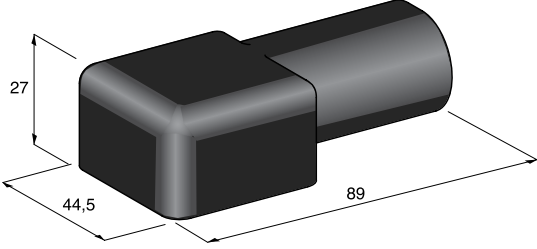
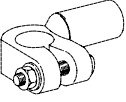
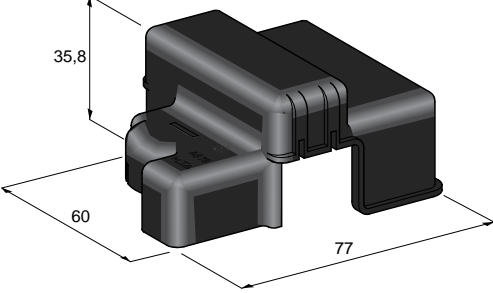
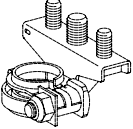
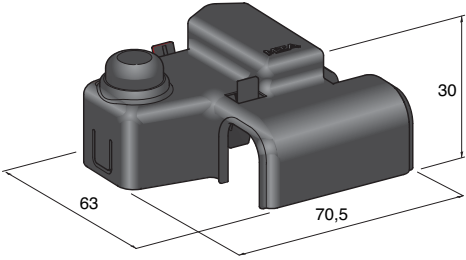
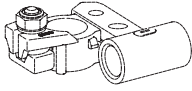
| DISEGNO<br>DRAWING<br>DESSIN<br>ZEICHNUNG  | SEZIONE CAVO<br>CABLE SECTION<br>SECTION DU CABLE<br>KABEL QUERSCHNITT<br>mm <sup>2</sup> | POLARITA'<br>POLARITY<br>POLARITÉ<br>POLUNG |    |   | MATERIALE<br>MATERIAL<br>MATERIEL<br>WERKSTOFF | REF.                 | PCS       |
|--|---|---|----|---|--|----------------------|-----------|
| M8 SX<br> | -   | -   | 17 | - | CuZn-Sn  | 15.06678             | 400       |
|           | 10÷20   | +   | 19 | - | CuZn-Sn  | 15.06721<br>15.06720 | 10<br>400 |
|  | 25÷40   | +   | 19 | - | CuZn-Sn  | 15.06731<br>15.06730 | 10<br>400 |

| DISEGNO<br>DRAWING<br>DESSIN<br>ZEICHNUNG   | SEZIONE CAVO<br>CABLE SECTION<br>SECTION DU CÂBLE<br>KABEL QUERSCHNITT<br>mm <sup>2</sup> | POLARITA'<br>POLARITY<br>POLARITÉ<br>POLUNG | $\varnothing_i$<br>mm | A<br>mm      | MATERIALE<br>MATERIAL<br>MATERIEL<br>WERKSTOFF | REF.                 | PCS                  |
|---|---|---|-----------------------|--------------|--|----------------------|----------------------|
|    | 25  | +<br>-                                      | 19<br>17              | 10<br>10     | CuZn   | 15.06000<br>15.06010 | 50<br>50             |
|   | 35  | +<br>-                                      | 19<br>17              | 10<br>10     | CuZn   | 15.06040<br>15.06050 | 25<br>25             |
|   | 50  | +<br>-                                      | 19<br>17              | 12<br>12     | CuZn   | 15.06060<br>15.06070 | 25<br>25             |
|   | 70  | +<br>-                                      | 19<br>17              | 15<br>15     | CuZn   | 15.06080<br>15.06090 | 25<br>25             |
|  | 25÷50   | +<br>-                                      | 19<br>17              | 12.5<br>12.5 | CuZn<br>CuZn                                   | 15.06100<br>15.06110 | 25<br>25             |
|   |        | 25÷50                                       | +<br>-                | 19<br>17     | 12.5<br>12.5                                   | CuZn<br>CuZn         | 15.06270<br>15.06280 |
|  |   | -   | +<br>-                | 19<br>17     | M10<br>M8                                      | CuZn<br>CuZn         | 15.06120<br>15.06130 |

| DISEGNO<br>DRAWING<br>DESSIN<br>ZEICHNUNG | SEZIONE CAVO<br>CABLE SECTION<br>SECTION DU CABLE<br>KABEL QUERSCHNITT<br>mm <sup>2</sup> | POLARITA'<br>POLARITY<br>POLARITÉ<br>POLUNG |    |     | MATERIALE<br>MATERIAL<br>MATERIEL<br>WERKSTOFF | REF.                 | PCS      |
|---|---|---|----|-----|--|----------------------|----------|
|   | 25  | +   | 19 | 9.5 | CuZn   | 15.06250             | 25       |
|   |   | -   | 17 | 9.5 |  | 15.06260             | 25       |
| <b>M6</b><br><br>                         | -   | +   | 19 | -   | CuZn   | 15.06820             | 1        |
| KIT: 1 PCS +; 1 PCS -                     |   |   |    |     |  |                      |          |
| <b>M68</b><br><br>                        | 70  | +   | 19 | 13  | CuZn-Sn  | 15.06741<br>15.06740 | 1<br>150 |
|   | 50  | -   | 17 | 11  | CuZn-Sn  | 15.06761<br>15.06760 | 1<br>150 |
|   | -   | +   | 19 | M8  | -  | 15.06200             | 25       |
|   | -   | -   | 17 | M8  | -  | 15.06210             | 25       |



| DISEGNO<br>DRAWING<br>DESSIN<br>ZEICHNUNG | APPLICAZIONI<br>APPLICATIONS<br>APPLICATIONS<br>ANWENDUNGEN | ØΩ<br>mm | A<br>mm | MATERIALE<br>MATERIAL<br>MATERIEL<br>WERKSTOFF | REF.                 | PCS       |
|---|---|----------|---------|--|----------------------|-----------|
|   |   |          |         | PP<br>Rosso<br>Red<br>Rouge<br>Rot             | 44.10496<br>45.10496 | 10<br>500 |
|   |   |          |         | PP<br>Rosso<br>Red<br>Rouge<br>Rot             | 45.10498             | 800       |
|   |   |          |         | PP<br>Rosso<br>Red<br>Rouge<br>Rot             | 44.10490<br>45.10490 | 10<br>500 |
|   |   |          |         | PP<br>Rosso<br>Red<br>Rouge<br>Rot             | 45.10500             | 500       |
|   |   |          |         | PP<br>Rosso<br>Red<br>Rouge<br>Rot             | 45.10510             | 500       |

| <p>DISEGNO<br/>DRAWING<br/>DESSIN<br/>ZEICHNUNG</p>                                 | <p>APPLICAZIONI<br/>APPLICATIONS<br/>APPLICATIONS<br/>ANWENDUNGEN</p>                | <p>MATERIALE<br/>MATERIAL<br/>MATERIEL<br/>WERKSTOFF</p> | <p>REF.</p>                  | <p>PCS</p>        |
|---|--|--|------------------------------|-------------------|
|    |    | <p>PP<br/>Rosso<br/>Red<br/>Rouge<br/>Rot</p>            | <p>44.10480<br/>45.10480</p> | <p>10<br/>500</p> |
|   |    | <p>EPDM<br/>Nero<br/>Black<br/>Noir<br/>Schwarz</p>      | <p>44.10495</p>              | <p>10</p>         |
|  |  | <p>PP<br/>Nero<br/>Black<br/>Noir<br/>Schwarz</p>        | <p>44.10494<br/>45.10494</p> | <p>10<br/>500</p> |
|  |  | <p>PP<br/>Nero<br/>Black<br/>Noir<br/>Schwarz</p>        | <p>45.10497</p>              | <p>500</p>        |